

TVD-BB1

TruVision dome back box (used together with TVD-11xx/55xx/56xx series plastic mini domes)

Overview

TVD- BB1 back box for indoor and outdoor use. The bracket can be used with the TruVision dome cameras listed below.

Used for the following cameras:

TruVision IP plastic dome:
PAL: TVD-1105, TVD-1106
NTSC: TVD-3105, TVD-3106

TruVision IP indoor plastic dome:
PAL: TVD-1101, TVD-1102
NTSC: TVD-3101, TVD-3102

TruVision HD-TVI plastic dome:
PAL: TVD-2401, TVD-2403
NTSC: TVD-4401, TVD-4403



In details

- Suitable for TruVision Mini Domes series TVD-11xx/55xx/56xx
- Back box
- Aluminum alloy

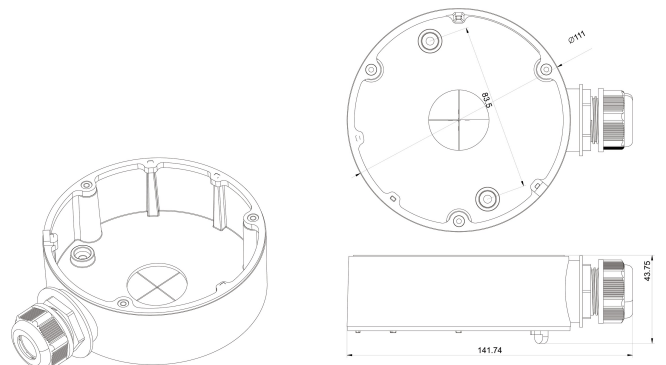
TVD-BB1

TruVision dome back box (used together with TVD-11xx/55xx/56xx series plastic mini domes)

Technical Specifications

General

Bracket type	Camera
Camera support type	TruVision mini domes
Bracket mounting part	Mount connection box



As a company of innovation, UTC Fire & Security reserves the right to change product specifications without notice. For the latest product specifications, visit UTC Fire & Security online or contact your sales representative.

10 December 2018 - 2:34 PM

