

DigiSense

DT Digital Detectors

Models: RK415DT
RK415DTQ



RISCO
GROUP

Creating Security Solutions.
With Care.
riscogroup.com

© RISCO Group 01/2013

SIN1542 C

RTTE Compliance Statement

Risco Ltd. hereby declares that this equipment is in compliance with the essential requirements and other relevant provisions of Directive 1999/5/EC. For the EC Declaration of Conformity please refer to our website: www.riscogroup.com



EN 50131-1 Grade 2
EN 50131-2-4
Grade 3
Environmental Class II

RK415DT & RK415DTQ applicable countries (European version):

AT	BE	CY	CZ	DK
EE	FI	FR	DE	GR
HU	IE	IT	LV	LT
LU	MT	NL	PL	PT
SE	SL	ES	SK	GB
BG	RO	TR	CH	NO

RK415DT & RK415DTQ applicable countries (German Version):

AT, CZ, SL, DE, TR, RU, EE

DigiSense FCC compliance Section (US version):

FCC Part 15 Note:

This equipment has been tested and found to comply with the limits for a Class B digital device, pursuant to Part 15 of the FCC rules. These limits are designed to provide reasonable protection against harmful interference in a residential installation. This equipment generates, uses and can radiate radio frequency energy and, if not installed and used in accordance with the instructions, may cause harmful interference to radio communications.

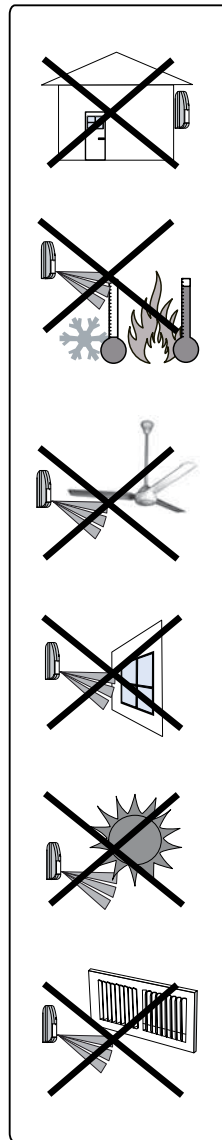
However, there is no guarantee that interference will not occur in a particular installation. If this equipment does cause harmful interference to radio or television reception, which can be determined by turning the equipment off and on, the user is encouraged to try to correct the interference by one or more of the following measures:

- Reorient or relocate the receiving antenna.
- Increase the separation between the equipment and receiver.
- Connect the equipment to an outlet on a circuit different from that to which the receiver is connected.
- Consult the dealer or an experienced radio/TV technician.

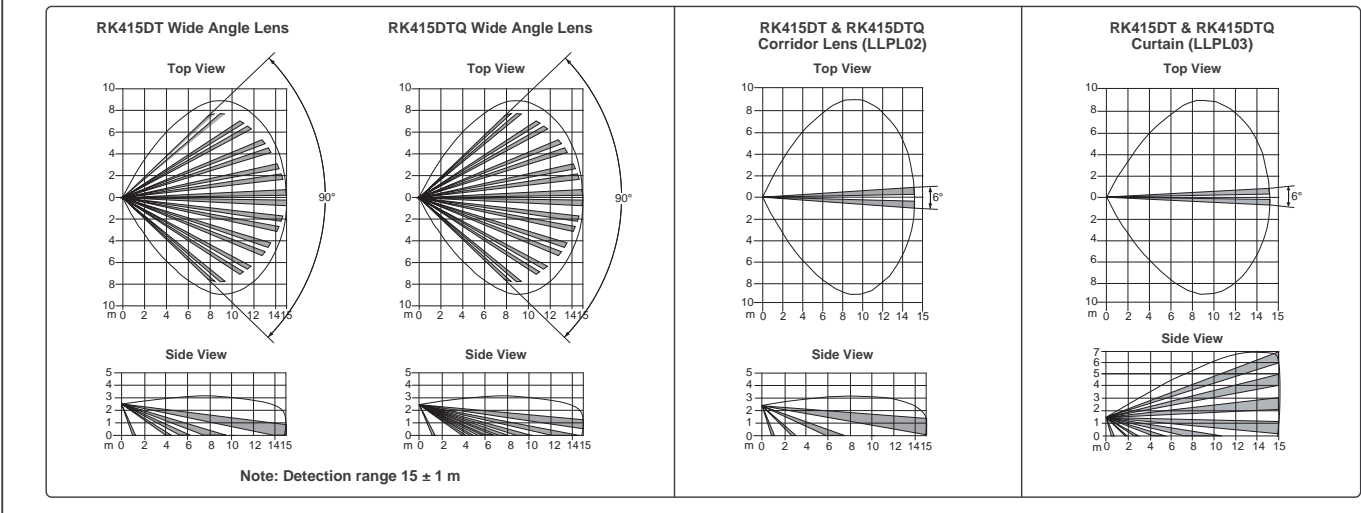
FCC Warning:

The manufacturer is not responsible for any radio or TV interference caused by unauthorized modifications to this equipment. Such modifications could void the user's authority to operate the equipment.

All rights reserved. No part of this document may be reproduced in any form without prior written permission from the publisher.



EN	Model / Lens	Wide angle (H)	Corridor (LLPL02) (H)	Curtain (LLPL03) (H)
FR	Numéro de Modèle	Lenille grand angle	Lenille couloir (LLPL02)	Lenille rideau (LLPL03)
SP	Referencia / Modelo	Lente gran angular	Lente de corredor (LLPL02)	Lente cortina (LLPL03)
IT	Codice prodotto	Lenti grandangolo	Lenti corridoio (LLPL02)	Lenti a tenda (LLPL03)
PR	Códigos	Lente de ángulo aberto	Lente de corredor (LLPL02)	Lente de cortina (LLPL03)
PL	Symbol / Model	Soczewka szerokokątna	Soczewka korytarzowa (LLPL02)	Soczewka kurtynowa (LLPL03)
	Digi-415DT	2m-2.7m (6'7"-8'10")	2.5m (8'2.4')	1.5m (Typical)
	Digi-415DTQ	2m-2.7m (6'7"-8'10")	2.5m (8'2.4')	1.5m (Typical)



2 Mounting

	1	2
EN	Wall mounting	Corner mounting
FR	Montage mural	Montage en coin
SP	Montaje en pared	Montaje en rincón
IT	Montaggio su parete piana	Montaggio ad angolo
PR	Montagem na parede	Montagem no canto
PL	Mocowanie do ściany	Mocowanie narożnym

3 Terminal Wiring

EN	Terminal Connection <ul style="list-style-type: none"> 12VDC: Power supply inputs ALARM: NC Dry Contact switch TAMPER: NC Dry Contact switch 	IT	Collegamento dei Morsetti <ul style="list-style-type: none"> 12VDC: Ingresso alimentazione ALARM: Relè d'allarme NC libero da tensione TAMPER: Relè di tamper NC libero da tensione
FR	Connexion <ul style="list-style-type: none"> 12VDC: alimentation électrique ALARM: contact sec NF d'alarme TAMPER: contact sec NF d'autoprotection 	PR	Terminais de Conexão <ul style="list-style-type: none"> 12VDC: Entrada de alimentação ALARME: Relé de contato seco NF TAMPER: Relé de contato seco NF
SP	Bornes de Conexión <ul style="list-style-type: none"> 12VDC: Entrada de alimentación ALARM: Relé de Contacto Seco N.C. TAMPER: Relé de Contacto Seco N.C. 	PL	Podłączenie <ul style="list-style-type: none"> 12VDC: Zasilanie czujki ALARM: Zacziski alarmowe NC TAMPER: Zacziski sabotażowe NC

4 DIP Switch & Jumper Settings

SW1-1: Pulse 1/2

	ON	OFF	Important
EN	1 pulse	2 pulses	For corridor and curtain lens use only 1 pulse.
FR	1 impulsion	2 impulsions	Pour les lentilles rideau et couloir, n'utilisez qu'une impulsion.
SP	1 pulso	2 pulsos	Para la lente de pasillo o cortina usar sólo 1 pulso.
IT	1 impulso	2 impulsi	Per le lenti a tenda o corridoio utilizzare solo 1 impulso.
PR	1 pulso	2 pulso	Para lente de corredor, use apenas o pulso 1.
PL	1 impuls	2 impulsów	Ważne: Dla soczewki korytarzowej i kurtynowej licznik impulsów należy ustawić w pozycji ON (1 impuls).

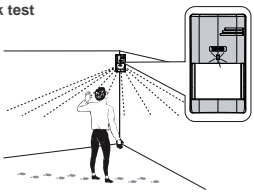
SW1-2: LED ON/OFF

	ON	OFF
EN	LED Enable	LED Disable
FR	LED Activée	LED Désactivée
SP	LED Activado	LED Desactivado
IT	LED Attivato	LED Disattivato
PR	LED Ativado	LED Desativado
PL	LED Aktywna	LED Wyłączona

5 Schematic of EOL Resistors

Schéma pour Résistances EOL (résistances de fin de ligne)
Esquema de Resistencias de Final de Línea
Schema di collegamento delle resistenze EOL
Diagrama para resistor final de linha
Rezystory parametryczne (EOL)

6 Walk test



EN Walk Test

1. Two minutes after applying power (warm-up period), walk test the Detector over the entire protected area to verify proper operation of the unit.
2. The MW range can be adjusted by using the potentiometer located on the PCB. (See par. 7).
3. It is important to set the potentiometer to the lowest possible setting that will still provide enough coverage for the inner boundary protected area.

FR Test de Marche

1. Deux minutes après avoir réalisé la mise sous tension (séquence d'initialisation), faites un test de marche pour vérifier l'efficacité du détecteur sur la totalité de la zone protégée.
2. La portée HF doit être réglée à l'aide du potentiomètre situé en bas du PCB. (Voir la sec. 7)
3. Il est important de régler le potentiomètre sur le niveau le plus bas possible permettant de couvrir la totalité de la surface de la zone à protéger.

SP Prueba de Detección

1. Dos minutos después de dar alimentación (periodo de calentamiento), realice la prueba de detección del Detector por toda el área protegida, a fin de verificar si la unidad está funcionando correctamente.
2. El alcance del MW puede ajustarse usando el potenciómetro situado en la PCB. (Ver la sec. 7)
3. Es importante ajustar el potenciómetro en la regulación más baja posible que aún proporcione la cobertura suficiente en toda el área a proteger.

IT Prova Di Movimento

1. Dopo aver atteso un periodo di riscaldamento di 2/3 minuti dall'alimentazione, effettuare la prova di copertura del rivelatore. Muoversi all'interno dell'area da proteggere e verificare che l'unità si attivi correttamente.
2. La portata della microonda può essere regolata mediante il potenziometro situato nella parte inferiore della scheda elettronica. (Vedi la sez. 7)
3. E' importante regolare il potenziometro al minimo e successivamente variarlo per garantire sufficiente copertura per tutta l'area da proteggere. In ogni caso il potenziometro va tenuto al valore minimo possibile.

PR Teste De Caminhada

1. Dois minutos depois ligar a alimentação (período de aquecimento), caminhe para testar o Detector através de toda a área protegida para verificar a correta operação da unidade.
2. O alcance de MO pode ser ajustado usando o potenciômetro, que está localizado ao fundo do PCB. (Veja a seção 7)
3. É importante colocar o potenciômetro na configuração mais baixa possível, porém que seja o suficiente para cobrir toda a área protegida.

PL Test

1. Przed rozpoczęciem testowania załąć pokrywę czujki. Włącz zasilanie czujki i odczekaj około 2 minuty, aby czujka ustabilizowała się. Przechódź po chronionej przestrzeni i obserwuj, czy dioda LED potwierdza prawidłowe działanie czujki na całym żądanym obszarze.
2. Zasięg mikrofal MW może być regulowany przy pomocy potencjometru znajdującego się na płycie PCB. (Patrz rozdział 7)
3. Ważne jest, aby potencjometr ustawić na najniższy możliwy zasięg mikrofalii gwarantujący prawidłową pracę czujki wewnątrz chronionego obszaru. Zasięg mikrofalii nie może być większy niż żądany obszar chroniony.

LEDs Display

EN	FR	SP	IT	PR	PL
LED	Description	LED	Description	LED	Descrizione
ORANGE	Indicates PIR detection	ORANGE	Indique une détection IRP	NARANJA	Indica detección del PIR
GREEN	Indicates MW detection	VERTE	Indique une détection HF	VERDE	Indica detección del MW
RED	Indicates ALARM	ROUGE	Indique une alarme (détection simultanée IRP et HF)	ROJO	Indica ALARMA (detección simultánea PIR y MW)
O LED LARANJA	Indica detecção do IVP	O LED VERDE	Indica detecção no canal de MO	O LED VERMELHO	Indica alarme (deteção simultânea do IVP e MO)
POMARAŃCZA	Oznacza detekcję w kanale PIR	ZIELONY	Oznacza detekcję w kanale MW	CZERWONY	Oznacza ALARM

EN Technical Specifications

	RK415DT / RK415DTQ
Coverage	15m x 15m
Installation height	2-2.7m
Operating voltage	9 to 16 VDC
Current consumption	12mA at 12V
Alarm and Tamper contacts	0.1A, 24V, NC
Optical filtering	White light protection, pigmented lens
Operating temperature	-20° to +55°C
Storage temperature	-20° to +60°C
Dimensions	106 x 60 x 47mm

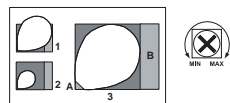
FR Spécification techniques

	RK415DT / RK415DTQ
Couverture	15m x 15m
Hauteur d'installation	2-2.7m
Tension d'alimentation	9 à 16 VCC
Consommation électrique	12mA à 12V
Contacts d'alarme / d'autoprotection	0.1A, 24V, NC
Filtrage	Protection aux lumières blanches, lentilles pigmentées
Température de fonctionnement	-20° à +55°C
Température de stockage	-20° à +60°C
Dimensions	106 x 60 x 47mm

SP Especificaciones Técnicas

	RK415DT / RK415DTQ
Cobertura	15m x 15m
Altura de Instalación	2-2,7 m
Voltaje	9 a 16 Vcc
Consumo de corriente	12mA a 12V
Contactos de Alarma y Tamper	0.1A, 24V, NC
Filtro óptico	Protección luz blanca, lente pigmentada
Temperatura de funcionamiento	-20° a +55°C
Temperatura de almacenamiento	-20° a +60°C
Dimensiones	106 x 60 x 47mm

7 Microwave Adjustment



	1	2	3	A	B
EN	Over power	Under power	Correct adjustment according to room size	Detector	Corridor
FR	Trop puissant	Pas assez puissant	Ajustement correct pour la taille de la pièce	Détecteur	Couloir
SP	Potencia excesiva	Potencia Insuficiente	Ajuste correcto en función del tamaño de la habitación	Detector	Pasillo
IT	Troppo	Poco	Regolazione corretta in base alla dimensione della stanza	Rivelatore	Corridoio
PR	Alto Alcance	Baixo Alcance	Ajuste Correto de acordo com o tamanho do quarto	Detector	Corredor
PL	Ustawiony zbyt duży zasięg mikrofalii	Ustawiony zbyt mały zasięg mikrofalii	Ustawienie zasięgu mikrofalii odpowiednio do wielkości pomieszczenia	Czujka	Korytarz

IT Specifiche Tecniche

	RK415DT / RK415DTQ
Copertura	15m x 15m
Altezza di installazione	da 2.0 a 2.7m
Tensione nominale di alimentazione	da 9 a 16 Vcc
Assorbimento massimo di corrente	18mA a 12V
Contatti d'allarme / tamper	0.1A, 24V, NC
Filtro Ottico	Lenti pigmentate, protezione luci bianche
Temperatura di funzionamento	da -20° a 55°C
Temperatura di stoccaggio	da -20° a 60°C
Dimensioni	106 x 60 x 47mm

PR Especificações Técnicas

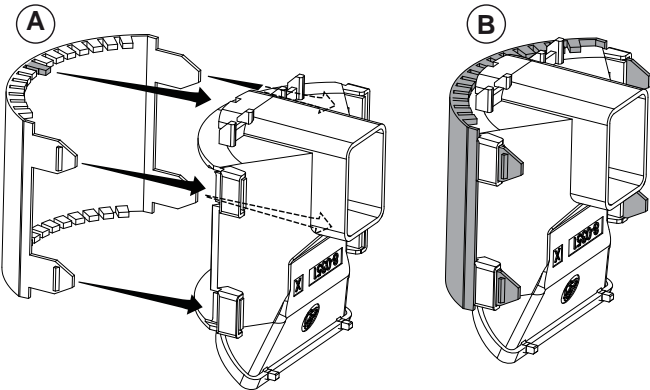
	RK415DT / RK415DTQ	RK415DTPT
Cobertura	15m x 15m	12m x 12m
Altura de instalação	2-2.7m	2.4-2.7m
Limite de imunidade contra animais	—	34Kg
Tensão de operação	9 até 16 VDC	
Consumo de corrente	12mA em 12V	
Contatos de alarme / Tamper	NC ,24V 0.1A	
Filtragem	Lentes pigmentadas para Proteção contra luz branca	
Temperatura operacional	-20° to + 55°C	
Temperatura de armazenamento	-20° to + 60°C	
Dimensões	106 x 60 x 47mm	

PL Specyfikacja Techniczna

	RK415DT / RK415DTQ	RK415DTPT
Zasięg	15m x 15m	12m x 12m
Wysokość instalacji	2-2.7m	2.4-2.7m
Odporność na zwierzęta	—	34Kg
Zakres napięć zasilających	9 do 16 VDC	
Podór prądu	12mA przy 12V	
Zaciski ALARM i TAMPER	0.1A, 24V, NC	
Filtr optyczny	Filtr światła białego, barwniona soczewka	
Temperatura pracy	-20° to +55°C	
Temperatura składowania	-20° to +60°C	
Wymiary	106 x 60 x 47mm	

8 Replacing Lenses

- FR** Changement de lentille **IT** Sostituzione delle lenti
SP Cambio de las Lentes **PR** Trocando as lentes
PL Wymiana Soczewek



Ordering part numbers

Part / Model number	Description
RK415DT	DigiSense DT 15m
RK415DTQ	DigiSense DT QUAD 15m
LLPL02	Corridor lens, only for RK415DT / RK415DTQ (Coverage 15m, 6°)
LLPL03	Curtain lens, only for RK415DT / RK415DTQ (Coverage 15m, 6°)
RA900000000A	DigiSense ceiling swivel for RK415DT / RK415DTQ
RA910000000A	DigiSense wall/corner swivel for RK415DT / RK415DTQ

RISCO Group Limited Warranty

RISCO Group and its subsidiaries and affiliates ("Seller") warrants its products to be free from defects in materials and workmanship under normal use for 24 months from the date of production. Because Seller does not install or connect the product and because the product may be used in conjunction with products not manufactured by the Seller, Seller cannot guarantee the performance of the security system which uses this product. Seller's obligation and liability under this warranty is expressly limited to repairing and replacing, at Seller's option, within a reasonable time after the date of delivery, any product not meeting the specifications. Seller makes no other warranty, expressed or implied, and makes no warranty of merchantability or of fitness for any particular purpose.

In no case shall seller be liable for any consequential or incidental damages for breach of this or any other warranty, expressed or implied, or upon any other basis of liability whatsoever. Seller's obligation under this warranty shall not include any transportation charges or costs of installation or any liability for direct, indirect, or consequential damages or delay. Seller does not represent that its product may not be compromised or circumvented; that the product will prevent any personal injury or property loss by burglary, robbery, fire or otherwise; or that the product will in all cases provide adequate warning or protection. Seller, in no event shall be liable for any direct or indirect damages or any other losses occurred due to any type of tampering, whether intentional or unintentional such as masking, painting or spraying on the lenses, mirrors or any other part of the detector.

Buyer understands that a properly installed and maintained alarm may only reduce the risk of burglary, robbery or fire without warning, but is not insurance or a guaranty that such event will not occur or that there will be no personal injury or property loss as a result thereof. Consequently seller shall have no liability for any personal injury, property damage or loss based on a claim that the product fails to give warning. However, if seller is held liable, whether directly or indirectly, for any loss or damage arising under this limited warranty or otherwise, regardless of cause or origin, seller's maximum liability shall not exceed the purchase price of the product, which shall be complete and exclusive remedy against seller. No employee or representative of Seller is authorized to change this warranty in any way or grant any other warranty.

WARNING: This product should be tested at least once a week.

RISCO Group Contacting Info

RISCO Group is committed to customer service and product support. You can contact us through our website (www.riscogroup.com) or at the following telephone and fax numbers:

UK
Tel: 44-(0)-161-655-5500
E-mail: support-uk@riscogroup.com

ITALY
Tel: +39-02-66590054
E-mail: support-it@riscogroup.com

SPAIN
Tel: +34-91-490-2133
E-mail: support-es@riscogroup.com

FRANCE
Tel: +33-164-73-28-50
E-mail: support-fr@riscogroup.com

BELGIUM
Tel: +32-2522-7622
E-mail: support-be@riscogroup.com

U.S.A
Tel: +1-631-719-4400
E-mail: support-usa@riscogroup.com

BRAZIL
Tel: +55-11-3661-8767
E-mail: support-br@riscogroup.com

CHINA (Shanghai)
Tel: +86-21-52-39-0066
E-mail: support-cn@riscogroup.com

CHINA (Shenzhen)
Tel: +86-755-82789285
E-mail: support-cn@riscogroup.com

POLAND
Tel: +48-22-500-28-40
E-mail: support-pl@riscogroup.com

ISRAEL
Tel: +972-3-963-7777
E-mail: support@riscogroup.com