

DH-PFB300S

Wall Mount Bracket



Features

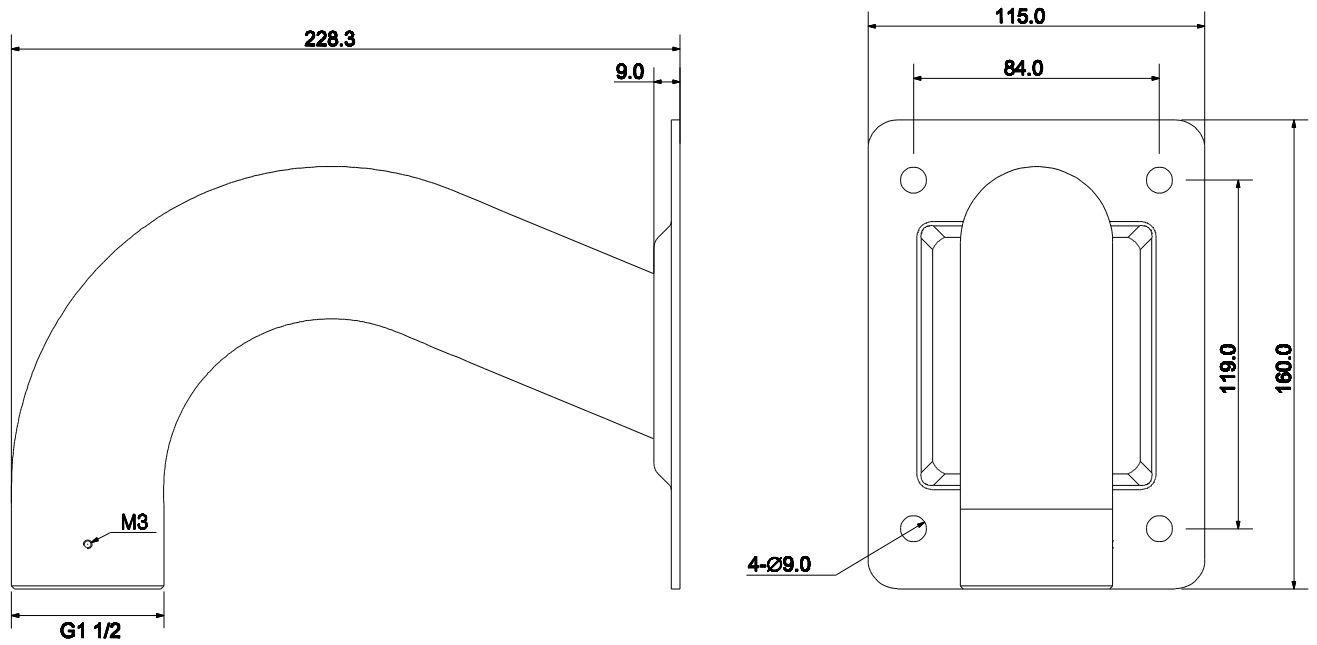
- Material: Aluminum
- Wall Mount Bracket
- Neat & Integrated design

Specifications

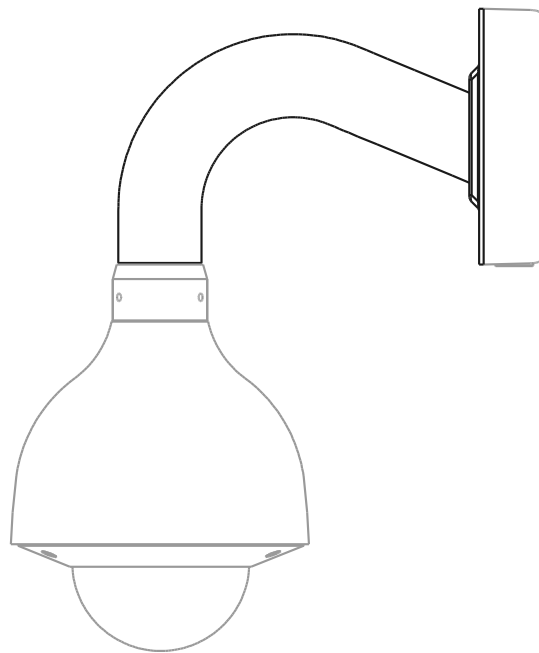
Model	DH-PFB300S
General	
Material	Aluminum
Dimension (W x H x D)	160mmx 160mm x 228mm
Pipe Thread	1 1/2" PF
Operating Temperature	-40°C ~60°C
Humidity	0~90% RH
Load Bearing	3.0Kg
Weight	0.5kg
Applicable Model	PFA100, PFA101, PFA102, PFA110

DH-PFB300S

Dimensions (mm)



Application



DH-PFB300S

Dahua Technology USA Inc.

23 Hubble, Irvine Spectrum, CA92618, USA

Tel: +001-949 679 7777

Fax: +001-949 679 5760

Email: support.usa@dahuatech.com

www.dahuatech.us

*Design and specifications are subject to change without notice.

© 2014 Dahua Technology