

## DS-2CD2955FWD-I(S) 5 MP Network Fisheye Camera



### Key Features

- Up to 5 megapixel high resolution
- 2560×1920 @30fps
- H.265, H.265+, H.264+, H.264
- Support 14 display modes
- FOV: horizontal field of view 180°, vertical field of view 180°
- Dual video streams
- Digital Noise Reduction
- Support on-board storage, up to 128 G
- DC12V & PoE (802.3af)
- Up to 8 m IR range
- -S: Audio/Alarm IO
- Mobile Monitoring via Hik-Connect or iVMS-4500



## Specification

<b>Camera</b>	
Image Sensor	1/2.5" Progressive Scan CMOS
Min. Illumination	Color: 0.01Lux @ (F1.2, AGC ON), 0 Lux with IR on
Shutter Speed	1/3 s to 1/100,000 s
Lens	1.05 mm @ F2.2, horizontal field of view: 180°, vertical field of view: 180°
Lens Mount	M12
Day & Night	IR cut filter with auto switch
DNR	3D DNR
Wide Dynamic Range	120 dB
<b>Compression Standard</b>	
Video Compression	Main stream: H.265/H.264 Sub stream: H.265/H.264/MJPEG
H.264 Type	Main Profile/High Profile
H.264+	Support
H.265 Type	Main Profile
H.265+	Support
Video Bit Rate	32 Kbps to 16 Mbps
Audio Compression (-S)	G.711/G.722.1/G.726/MP2L2
Audio Bit Rate (-S)	64Kbps(G.711)/16Kbps(G.722.1)/16Kbps(G.726)/32-128Kbps(MP2L2)
<b>Image</b>	
Max. Resolution	2560 × 1920
Main Stream Max. Frame Rate	50Hz: 25fps (2560 × 1920, 2048 × 1536, 1280 × 960) 60Hz: 30fps (2560 × 1920, 2048 × 1536, 1280 × 960)
Sub Stream Max. Frame Rate	50Hz: 25fps (352 × 288, 704 × 576) 60Hz: 30fps (352 × 240, 704 × 576)
Image Settings	Saturation, brightness, contrast, and sharpness are adjustable via client software or web browser
Image Enhancement	WDR/3D DNR/Backlight Compensation/Defog
Day/Night Switch	Auto/Schedule/Triggered by Alarm In (-S model supports)
Region of Interest	Support 1 fixed region for each stream
Lens Distortion Correction	Support
<b>Live View Display</b>	
Mount Type	Support table, wall, and ceiling
Display Mode	Support 14 display modes in total (including display modes of different mount types): Fisheye View, 180 Panorama View, 4PTZ, Fisheye + 3PTZ, 360 Panorama View, 360 Panorama + PTZ, 360 Panorama + 3PTZ, 360 Panorama + 6PTZ, 360 Panorama + 8PTZ, 2PTZ, Fisheye + 8PTZ, Panorama View, Panorama + 3PTZ, Panorama + 8PTZ
<b>Audio (-S)</b>	
Environment Noise Filtering	Support
Audio I/O	Support
Sampling Rate	Max. 48kHz
<b>Network</b>	
Network Storage	NAS (Support NFS,SMB/CIFS), built-in microSD/SDHC/SDXC card slot, up to 128 G, ANR
Alarm Trigger	Video tampering alarm, HDD full, HDD error, network disconnected, IP address conflicted, illegal login

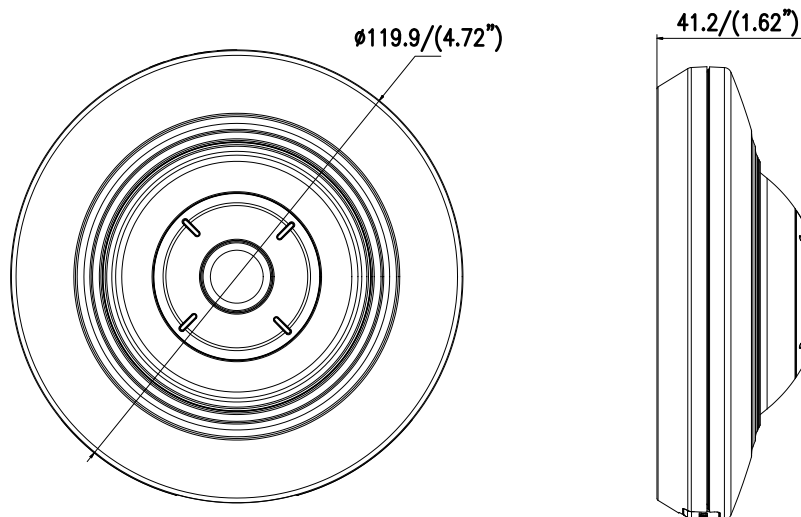
Detection	Motion detection, dynamic analysis, intrusion detection, line crossing detection
Protocols	TCP/IP, ICMP, HTTP, HTTPS, FTP, DHCP, DNS, DDNS, RTP, RTSP, RTCP, PPPoE, NTP, UPnP, SMTP, SNMP, IGMP, 802.1X, QoS, IPv6
Standard	ONVIF (PROFILE S, PROFILE G), PSIA, CGI, ISAPI
General Function	One-key reset, anti-flicker, password protection, privacy mask, IP Address filtering, heartbeat, watermark
<b>Interface</b>	
Communication Interface	1 RJ45 10M/100M self-adaptive Ethernet port
Audio (-S)	1 audio input (line in), 1 audio output interface
Alarm (-S)	1 alarm input, 1 alarm output (DC24V, 1A or AC110V, 500mA, max.)
On-board Storage	Built-in microSD/SDHC/SDXC slot, up to 128 G
<b>General</b>	
Operating Conditions	-10 °C to +50 °C (-14 °F to +122 °F), Humidity 95% or less (non-condensing)
Power Supply	DC 12V ± 25%, 2A, 5W PoE(802.3af 36-57V, class 3), 0.4 – 0.7 A, 6.7W
IR Range	Up to 8 m
Dimensions	Φ 119.9 × 41.2 mm (Φ 4.72" × 1.62")
Weight	600 g (1.32 lbs.)

## Available Models

DS-2CD2955FWD-I, DS-2CD2955FWD-IS

*With -S model: supports 1 audio input, 1 audio output, 1 alarm input, 1 alarm output.*

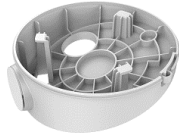
## Dimensions



Unit: mm(inch)

**Accessories**

**DS-1294ZJ**  
Wall mount



**DS-1281ZJ-DM27**  
Inclined ceiling mount



**DS-1297ZJ**  
Pendant mount  
(extendable)



**DS-1299ZJ**  
Pendant mount

Distributed by

**HIKVISION®****Headquarters**

No.555 Qianmo Road, Binjiang District,  
Hangzhou 310051, China  
T +86-571-8807-5998  
overseasbusiness@hikvision.com

**Hikvision USA**  
T +1-909-895-0400  
sales.usa@hikvision.com

**Hikvision Italy**  
T +39-0438-6902  
info.it@hikvision.com

**Hikvision Singapore**  
T +65-6684-4718  
sg@hikvision.com

**Hikvision Africa**  
T +27 (10) 0351172  
sale.africa@hikvision.com

**Hikvision Europe**  
T +31-23-55-42-770  
info.eu@hikvision.com

**Hikvision France**  
T +33(0)1-85-330-450  
info.fr@hikvision.com

**Hikvision Oceania**  
T +61-2-8599-4233  
salesau@hikvision.com

**Hikvision Hong Kong**  
T +852-2151-1761

**Hikvision Middle East**  
T +971-4-8816086  
salesme@hikvision.com

**Hikvision Spain**  
T +34-91-737-16-55  
info.es@hikvision.com

**Hikvision Canada**  
T +1-909-895-0400  
sales.usa@hikvision.com

**Hikvision Russia**  
T +7-495-669-67-99  
sateru@hikvision.com

**Hikvision Poland**  
T +48-22-460-01-50  
poland@hikvision.com

**Hikvision Korea**  
T +82-31-731-8841  
sales.korea@hikvision.com

**Hikvision India**  
T +91-22-28469900  
sales@pramahikvision.com

**Hikvision UK**  
T +01628-902140  
support.uk@hikvision.com

**Hikvision Brazil**  
T +55 11 3318-0050  
Latam.support@hikvision.com