

MC 440 with Built-In Resistors

Magnetic Contact, with Built-In Resistors, NC

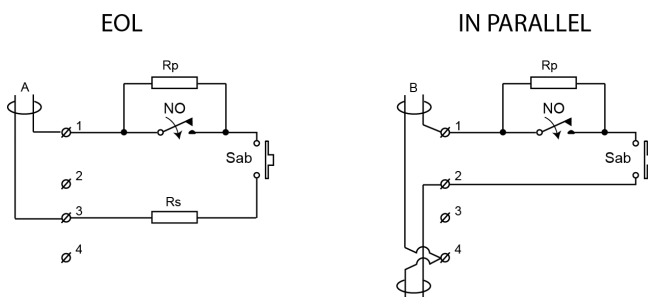


Technical data

Installation method	Surface mount
Contact function	Normally Closed (NC)
Approvals	EN 50131-2-6 Grade 2, Class II, INCERT B-582-0013, SBSC 9-210, Class 1/2, FG
Contact rating	48 VDC / 500 mA / 10 VA
Magnet type	Alnico 5
Mounting on steel	Possible without accessories
Make distance (wood) mm	37
Make distance (steel) mm	24
Tamper protection	Yes
Connection	Screw terminals
Housing material	ABS Plastic
Operating temperature range	-40°C - +70°C
Housing protection class	IP 43
Contact dimensions (L x W x H) mm	65 x 20 x 15
Magnet dimensions (L x W x H) mm	65 x 15 x 14,5
Normal operation	12 VDC
Grade	2




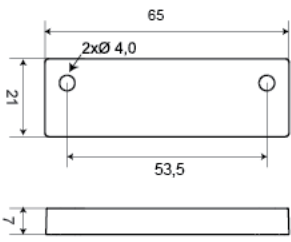

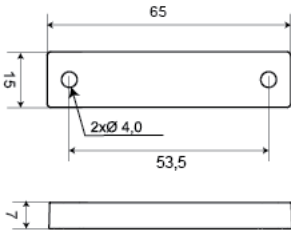

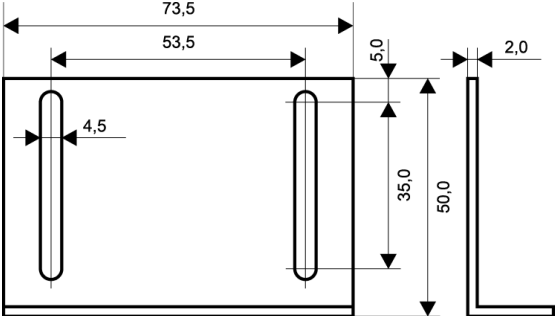
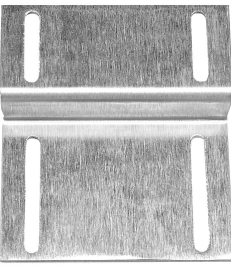
The magnetic contact MC 440 with 2 built-in resistors for a balanced circuit. When installing the magnetic contact it is easy to select if one resistor or both should be used (see wiring diagram). For quick and easy installation the magnetic contact comes with screw terminals with wire protection. It is equipped with tamper protection against unauthorized opening. The magnetic contact has a wide gap which allows for installation on most materials such as wood, plastic, aluminium and steel. Enclosed are plastic spacers for installation on steel. The contact can be supplemented with different accessories such as brackets and extra strong magnets. If additional spacers are needed use MC 400-6 and /or MC 400-7.



ORDERING INFORMATION

Model	Description
MC 440-2x1K	Magnetic contact, surface mounting, NC, with two 1K resistors, tamper protection
MC 440-2x2,2K	Magnetic contact, surface mounting, NC, with two 2,2K resistors, tamper protection
MC 440-2x3,3K	Magnetic contact, surface mounting, NC, with two 3,3K resistors, tamper protection
MC 440-2x4,7K	Magnetic contact, surface mounting, NC, with two 4,7K resistors, tamper protection
MC 440-2x5,6K	Magnetic contact, surface mounting, NC, with two 5,6K resistors, tamper protection

Related products and accessories

	<p>MC 400-6</p> <p>Plastic Spacer Contact Part for MC 440 Series</p>	
	<p>MC 400-7</p> <p>Plastic Spacer Magnet Part for MC 440</p>	
	<p>MC L</p> <p>Installation L- Bracket</p>	
	<p>MC Z</p> <p>Installation Z- Bracket</p>	