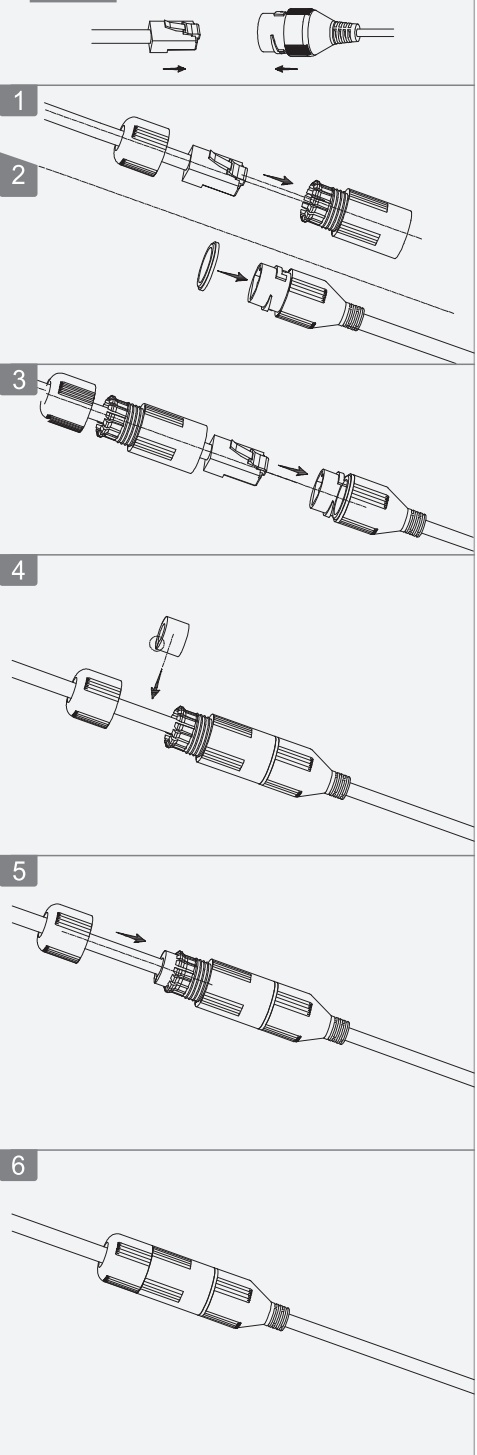
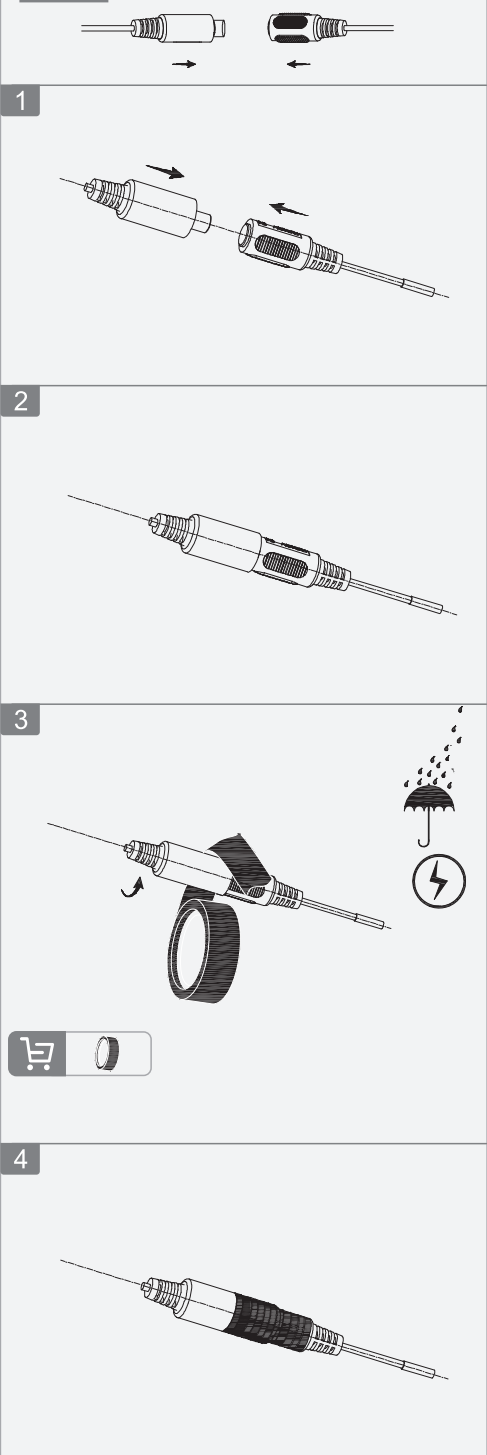


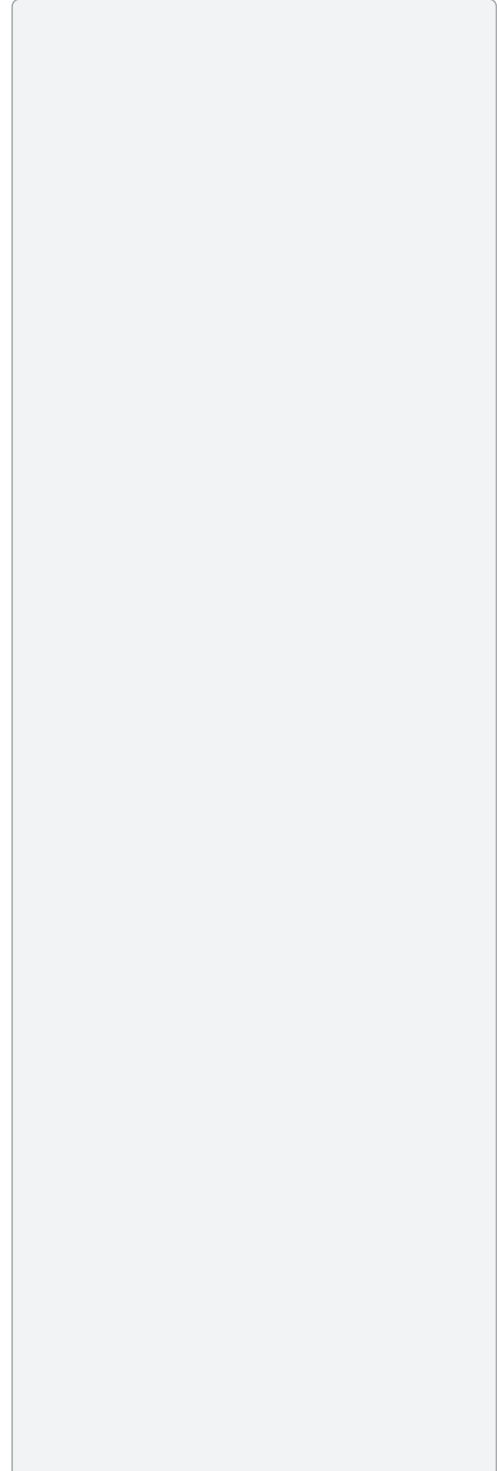
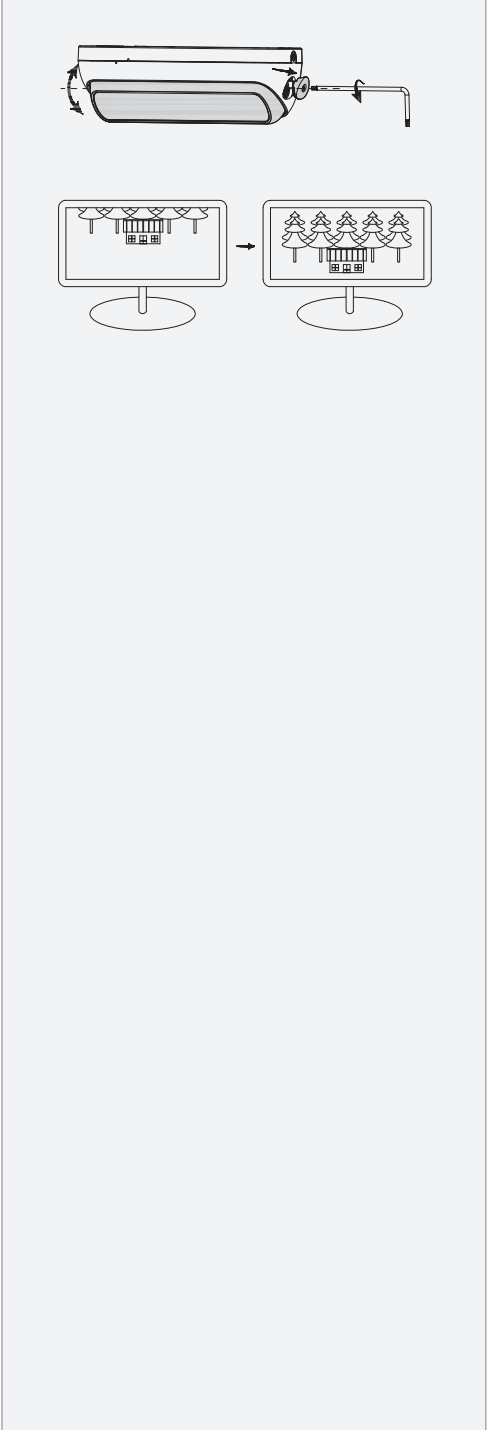
A Optional



B



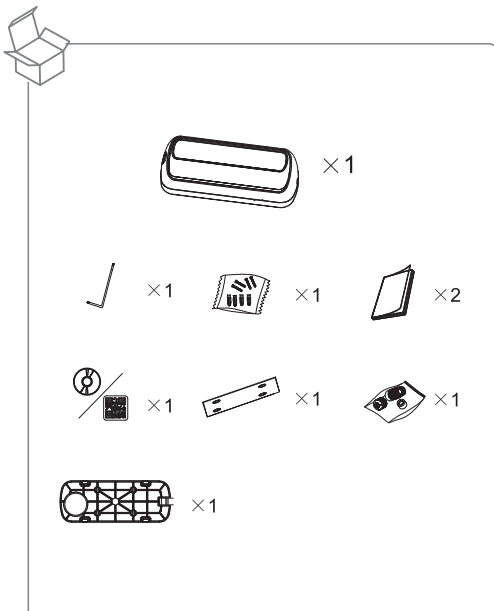
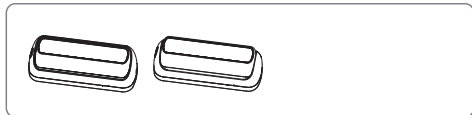
3.1



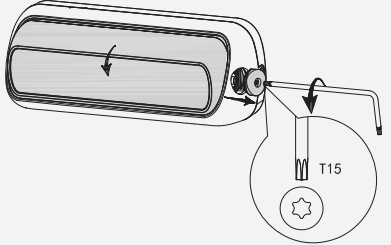
Dual-lens Network Camera

Installation Guide

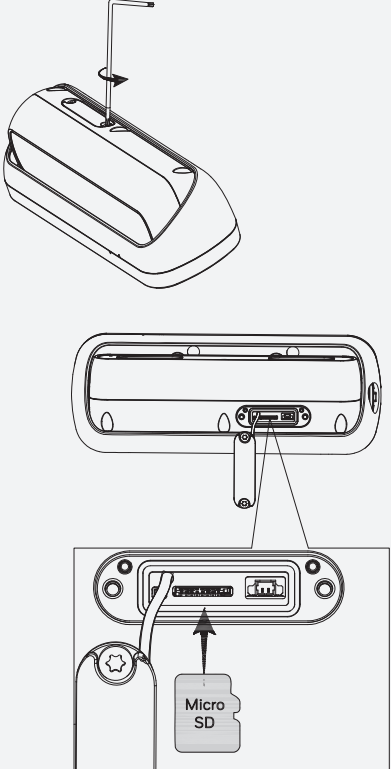
V1.0.0



1.1 Optional

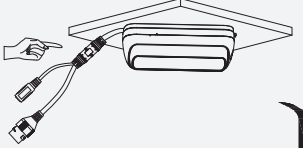


1.2

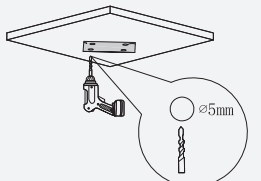


Micro SD

2.1.1

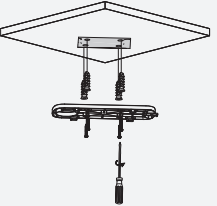


2.1.2

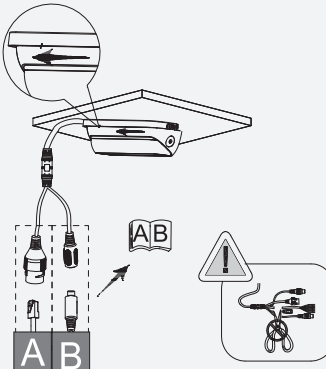


∅5mm

2.1.3

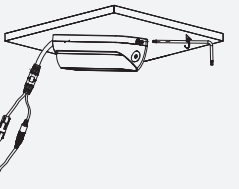


2.1.4

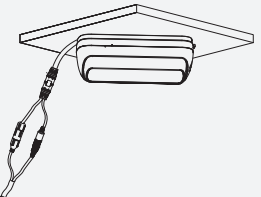


AB

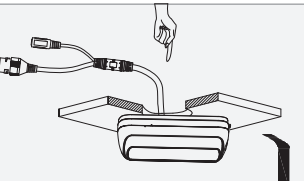
2.1.5



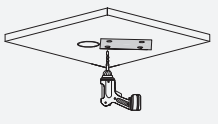
2.1.6



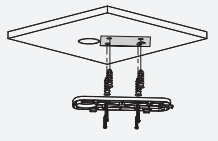
2.2.1



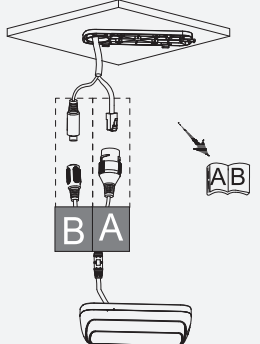
2.2.2



2.2.3

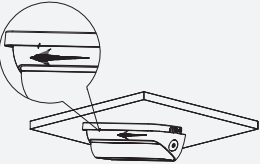


2.2.4




AB

2.2.5



2.2.6



2.2.7

