



C851

Fast sliding gates gearmotor

FAAC
Simply automatic.

C851

Industrial sliding gates gearmotor: Fast, Powerful, Easy to install and set-up

Operates industrial sliding gates weighing up to 1800Kg with a speed (adjustable) up to 0.7 m/s and a maximum recommended length of 20m.

Ideal for stores, warehouses, malls, prisons, embassies, or any application in which Fast Operation and Continuous Duty (100%) can be requested.

Powerful gearmotor: 1.1KW irreversible gearmotor + electric brake.

E850S control panel with integrated frequency inverter able to independently manage opening and closing running speeds.

Integrated full feature control panel protected by plastic covers.

2 integrated limit switches to manage deceleration positions.

2 external magnetic limit switches, installed on the rack, as maximum end of travel position precision

Galvanised steel operator base with 5 fixing points.

Slot holes and height adjustment pins to permit full operator position adjustment.

1.5mm steel cover with zinc primer protection treatment plus powder coated painting.

In the event of power failure an easy manual release operation makes it possible to move the gate manually.

The manual release device can be activated from the outside of the operator without removing the cover.



PRECISE DECELERATION

Two integrated mechanical limit switches with fine adjustment to guarantee precise deceleration.

Plastic protection for belt to prevent finger injury.



INTEGRATED E850S CONTROL BOARD

Integrated full feature control panel, easy to program through display and buttons, full range of operating logics available. Control panel protected with dark and transparent covers to help service and maintenance.



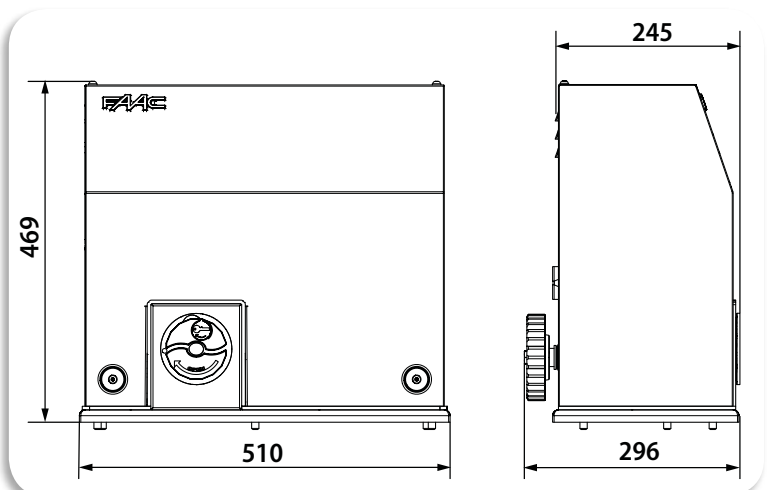
INTEGRATED LIMIT SWITCH

External magnetic limit sensor switch, fixed on a stainless steel plate, to guarantee maximum precision of the end of run positions.



IRREVERSIBILITY GUARANTEED

Reinforcement side supports with handles to help moving and positioning the operator and electric brake on the motor shaft.



C851



DIMENSIONS AND TECHNICAL CHARACTERISTICS

| MODEL | C851 |
|------------------------------------|------------------------------------|
| Power supply voltage | 220-240V ~ 50/60Hz |
| Motor | 1.1 KW three phase with four poles |
| Type of gearmotor | Worm screw with oil lubrication |
| Max. power | 1,800 W |
| Max. torque | 168 Nm (*) |
| Max expressed force | 3.000 N (*) |
| Max. leaf width | 20 m |
| Leaf speed | 20 ÷ 40 m/min |
| Speed adjustment and motor control | On control board |
| Opening and closing limit switch | Integrated mechanics + magnetic |
| Pinion | Z28 module 4 |
| Operating ambient temperature | -20°C ÷ +55°C |
| Thermal protection | 75°C |
| Protection class | IP54 |
| Weight | 40 Kg |
| Dimensions (LxDxH) | 510 x 295 x 467 mm |
| Max. leaf weight | 1,800 Kg |
| Use frequency | 100% (T=25 °C) |
| Electronic equipment | E850S incorporated |

(*) data referred to 230V~ 50Hz.



HEADQUARTERS

ITALY

FAAC S.p.A. - Soc. Unipersonale
Via Calari 10 - 40069 Zola Predosa (BO)
Tel. +39 051 61724 - Fax +39 051 758518
it.info@faacgroup.com - www.faacgroup.com

SUBSIDIARIES

ASIA - PACIFIC

FAAC MALAYSIA
MAGNETIC CONTROL SYSTEMS SDN BHD
Selangor, Malaysia
tel. +60 3 5123 0033
www.faac.biz

AUSTRALIA

FAAC AUSTRALIA PTY LTD
Homebush – Sydney, Australia
tel. +61 2 87565644
www.faac.com.au

AUSTRIA

FAAC GMBH
Salzburg, Austria
tel. +43 662 85333950
www.faac.at

FAAC BV - TUBULAR MOTORS
Doetinchem, The Netherlands
tel. +49 30 5679 6645
faacbv.info@faacgroup.com
www.faac-tubularmotors.com

BENELUX

FAAC BENELUX NV/SA
Jabbeke, Belgium
tel. +32 50 320202
info@faacbenelux.com
www.faacbenelux.com

FAAC BV
Doetinchem, The Netherlands
tel. +31 314 369911
faacbv.info@faacgroup.com
www.faacbv.com

BRAZIL

INDÚSTRIAS ROSSI ELETROMECAÂNICA SA
Brasília DF, Brazil
tel. +55 61 33998787
www.rossiportoes.com.br

CHINA

FAAC SHANGHAI
Shanghai, China
tel. +86 21 68182970
www.faacgroup.cn

FRANCE

FAAC FRANCE
Saint Priest - Lyon, France
tel. +33 4 72213020
www.faac.fr

FAAC FRANCE - AGENCE PARIS
Massy - Paris, France
tel. +33 4 72213020
www.faac.fr

FAAC FRANCE - DEPARTEMENT VOLETS
Saint Denis de Pile - Bordeaux, France
tel. +33 5 57551890
www.faac.fr

GERMANY

FAAC GMBH
Freilassing, Germany
tel. +49 8654 49810
www.faac.de

FAAC BV - TUBULAR MOTORS
Doetinchem, The Netherlands
tel. +49 30 5679 6645
faacbv.info@faacgroup.com
www.faac-tubularmotors.com

INDIA

FAAC INDIA
MAGNETIC AUTOCONTROL PVT LTD.
Chennai – India
Tel. +91 44 421 23297
info@magnetic-india.com
www.faac.biz

IRELAND

NATIONAL AUTOMATION LTD
Co. Roscommon, Ireland
tel. +353 71 9663893
www.nal.ie

MIDDLE EAST

FAAC MIDDLE EAST FZE
Dubai Silicon Oasis Operation Center - Dubai, UAE
tel. + 971 4 3724190
www.faac.ae

POLAND

FAAC POLSKA SP.ZO.O
Warszawa, Poland
tel. +48 22 8141422
fax +48 22 8142024
www.faac.pl

RUSSIA

FAAC RUSSIA
Moscow, Russia
tel. +7 (495) 646 24 29
www.faac.ru

SCANDINAVIA

FAAC NORDIC AB
Perstorp, Sweden
tel. +46 435 779500
www.faac.se

SOUTH AFRICA

CENTURION SYSTEMS PTY LTD
2162 Johannesburg
tel. +27 11 699 2400
www.centsys.co.za

SPAIN

CLEM, S.A.U.
San Sebastián de los Reyes - Madrid, Spain
tel. +34 91 3581110
www.faac.es

SWITZERLAND

FAAC AG
Altdorf, Switzerland
tel. +41 41 8713440
www.faac.ch

TURKEY

FAAC OTOMATİK GEÇİŞ SİSTEMLERİ
SAN. VE TİC. LTD. SİRKETİ
İstanbul, Turkey
tel. +90 (0)212 - 3431311
www.faac.com.tr

UNITED KINGDOM

FAAC UK LTD.
Basingstoke Hampshire, UK
tel. +44 1256 318100
www.faac.co.uk

U.S.A.

FAAC INTERNATIONAL INC
Rockledge, FL - U.S.A.
tel. +1 866 925 3222
www.faacusa.com

FAAC INTERNATIONAL INC
Fullerton, California - U.S.A.
tel. +1 714 446 9800
www.faacusa.com

FAAC
Simply automatic.

FAAC S.p.A. - Soc. Unipersonale
Via Calari 10 - 40069 Zola Predosa (BO)
Tel. +39 051 61724 - Fax +39 051 758518
it.info@faacgroup.com - www.faac.it