



XND-9082RV

4K Network IR Dome Camera

Benefits

- Perfect cameras for effective forensic search applications with clear and vivid images thanks to state-of-the-art image processing and up to 4K resolution.
- Well contrasted and more detail-rich images, even in harsh lighting conditions, with 'extreme WDR'.
- Easier identification of objects and suspects in live video and during forensic review, thanks to advanced filters for motion and still areas to minimise motion blur and improve edge and colour definition.
- Reduced bandwidth and storage needs by up to 99% compared to current H.264 technology without sacrificing image quality, with WiseStream II technology combined with H.265 compression.
- Optimise security and safety economically, use advanced video and sound analytics completely license-free.
- Make sure your video is backed-up onboard the camera. Increase video recording resilience using the dual microSD slots to allow edge-based video recording in the event of network disruptions.

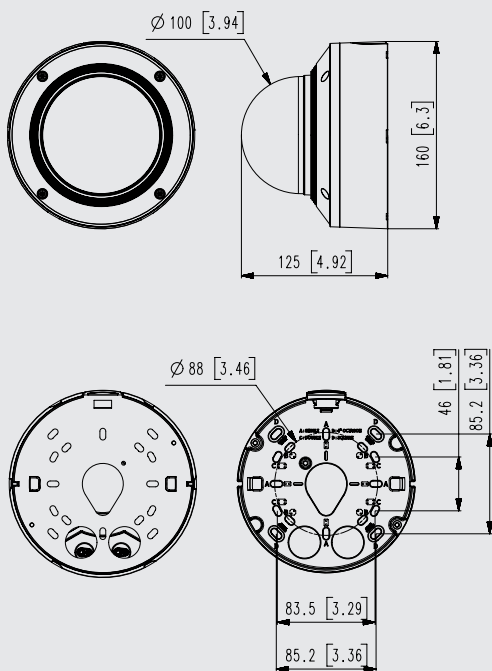
XND-9082RV	
VIDEO	
Imaging Device	1/2.8"CMOS
Min. Illumination	Colour: 0.05Lux(F1.2, 1/30sec) B/W: 0Lux(IR LED On)
Video Out	CVBS: 1.0 Vp-p / 75Ω composite, 720x480(N), 720x576(P) for installation USB: Micro USB Type B, 1280x720 for installation
LENS	
Focal Length (Zoom Ratio)	2.8~8.4mm(3x) motorized varifocal
Max. Aperture Ratio	F1.2(Wide)~F2.8(Tele)
Angular Field of View	H: 114°(Wide)~40.2°(Tele) / V: 62.0°(Wide)~22.5°(Tele) / D: 133.0°(Wide)~46.3°(Tele)
Min. Object Distance	0.7m (2.23ft)
Focus Control	Simple focus
Lens Type	DC Auto Iris, P iris
PAN / TILT / ROTATE	
Pan / Tilt / Rotate Range	0°~360° / -45°~85° / 0°~355°
OPERATIONAL	
IR Viewable Length	40m(131.23ft)
Camera Title	Displayed up to 85 characters
Day & Night	Auto(ICR)
Backlight Compensation	BLC, HLC, WDR
Wide Dynamic Range	extremeWDR
Contrast Enhancement	SSDR
Digital Noise Reduction	SSNRV
Digital Image Stabilization	Support(built-in gyro sensor)
Defog	Support
Motion Detection	8ea, 8point Polygonal zones
Privacy Masking	32ea, polygonal zones - Colour : Gray, Green, Red, Blue, Black, White - Mosaic
Gain Control	Support
White Balance	ATW / Narrow ATW / AWC / Manual / Indoor / Outdoor
LDC	Support
Electronic Shutter Speed	Minimum / Maximum / Anti flicker (1/5~1/12,000sec)
Digital PTZ	Support(Preset, Group)
Video Rotation	Flip, Mirror, Hallway view(90°/270°)
Analytics	Defocus detection, Directional detection, Motion detection, Digital auto tracking, Appear/Disappear, Enter/Exit, Loitering, Tampering, Virtual line, Audio detection, Sound classification, Shock detection, Face/upper body detection
Business Intelligence	People counting, Queue management, Heatmap
Serial Interface	RS-485(Samsung-T, Pelco-D/P, Panasonic, Bosch, AD, GE, Vicon, Honeywell)
Alarm I/O	2 configurable I/O ports
Alarm Triggers	Analytics, Network disconnect, Alarm input
Alarm Events	File upload via FTP and e-mail Notification via e-mail SD/SDHC/SDXC or NAS recording at event triggers Alarm output PTZ Preset Handover Audio playback
Audio In	Selectable(mic in/line in/Built-in mic) Supply voltage: 2.5VDC(4mA), Input impedance: 2K Ohm
Audio Out	Line out, Max.output level: 1Vrms
NETWORK	
Ethernet	RJ-45(10/100/1000BASE-T)
Video Compression	H.265/H.264: Main/High, MJPEG

Key Features

- 4K resolution
- 2.8~8.4mm(3x) motorized varifocal
- 0.05Lux@F1.2 (Colour), 0Lux (B/W, IR LED on)
- Max.30fps@4K (H.265/H.264)
- IR viewable length 40m
- Day & Night (ICR), extreme WDR
- DIS with built-in Gyro sensor
- Video Analytics(Defocus, Directional detection, Audio detection, Shock detection, Face/Upper body detection)
- Dual SD slots (Max. 512GB)
- Modular structure, PoE support
- IP52, IK10

Dimensions

Unit:mm(inch)



- * The latest product information / specification can be found at hanwha-security.com
- * Design and specifications are subject to change without notice.
- * Wisenet is the proprietary brand of Hanwha Techwin.

XND-9082RV

NETWORK	
Resolution	3840x2160, 3328x1872,3072x1728, 2592x1944, 2688x1520, 1920x1080, 1600x1200, 1280x1024, 1280x960, 1280x720, 1024x768, 800x600, 800x448, 720x576, 720x480, 640x480, 640x360, 320x240
Max. Framerate	H.265/H.264: Max. 30fps/25fps(60Hz/50Hz) MJPEG: Max. 15fps/12fps(60Hz/50Hz)
Smart Codec	Manual(5ea area), WiseStreamII
Video Quality Adjustment	H.264/H.265: Target bitrate level control MJPEG: Quality level control
Bitrate Control	H.264/H.265: CBR or VBR MJPEG: VBR
Streaming	Unicast(20 users) / Multicast Multiple streaming(Up to 10 profiles)
Audio Compression	G.711 u-law /G.726 Selectable G.726(ADPCM) 8KHz, G.711 8KHz G.726: 16Kbps, 24Kbps, 32Kbps, 40Kbps AAC-LC: 48Kbps at 16KHz
Protocol	IPv4, IPv6, TCP/IP, UDP/IP, RTP(UDP), RTP(TCP), RTCP,RTSP, NTP, HTTP, HTTPS, SSL/TLS, DHCP, FTP, SMTP, ICMP, IGMP, SNMPv1/v2c/v3(MIB-2), ARP, DNS, DDNS, QoS, UPnP, Bonjour, LLDP, SRTP (TCP, UDP Unicast)
Security	HTTPS(SSL) Login Authentication Digest Login Authentication IP Address Filtering User access log 802.1X Authentication(EAP-TLS, EAP-LEAP) Device Certificate(Hanwha Techwin Root CA)
Edge Storage	Micro SD/SDHC/SDXC 2slot 512GB(256Gx2)
Application Programming Interface	ONVIF Profile S/G/T, SUNAPI(HTTP API) Wisenet open platform
Webpage Language	English, Korean, Chinese, French, Italian, Spanish, German, Japanese, Russian, Swedish,, Portuguese, Czech, Polish, Turkish, Dutch, Hungarian, Greek
Web Viewer	Supported OS: Windows 8.1 or later, Mac OS X 10.13 or later Recommended Browser: Google Chrome Supported Browser: MS Explore11, MS Edge, Mozilla Firefox(Window 64bit only), Apple Safari(Mac OS X only)
Memory	4GB RAM, 512MB Flash
ENVIRONMENTAL	
Operating Temperature / Humidity	-25°C ~ +60°C (-13°F ~ +140°F) / Less than 95% RH (non condensing)
Storage Temperature / Humidity	-50°C ~ +60°C(-58°F ~ +140°F) / Less than 90% RH
Certification	IP52, IK10
ELECTRICAL	
Input Voltage	PoE(IEEE802.3af), 12VDC
Power Consumption	PoE : typ 10.7W, max 12.95W 12VDC : typ 9.0W, max 11.5W
MECHANICAL	
Color / Material	White / Aluminum
RAL Code	RAL9003
Product dimensions / weight	$\varnothing 160 \times 125 \text{mm}(6.30 \times 4.92\text{'})$, Weight : 1.6kg
Conduit hole	1/2"
Hanging mount(Dome)	SBP-167HMW, SBP-167HM
Skin cover(Dome)	SBC-160B
DORI	
Detect (25PPM/ 8PPF)	Wide: 49.9m(163.71ft) / Tele: 209.9m(688.65ft)
Observe (63PPM/ 19PPF)	Wide: 19.9m(65.29ft) / Tele: 83.9m(275.26ft)
Recognize (125PPM/ 38PPF)	Wide: 10.0m(32.80ft) / Tele: 42.0m(137.80ft)
Identify (250PPM/ 76PPF)	Wide: 5.0m(16.40ft) / Tele: 21.0m(68.90ft)