



Network

# XNO-6123R

2MP AI IR Bullet Camera

FC | UL | CE | ENEC

## Key Features

- Maximum 2MP resolution
- Color: 0.03 Lux (F1.6, 1/30 sec, 30IRE), 0 Lux (IR LED on)
- Maximum 120 fps (H.265/H.264)
- Maximum IR viewable length : WiseIR 90m(295.28ft)
- Day & Night (ICR), extremeWDR (150 dB)
- WiseNR II (Based on AI engine), WiseStreamIII (Based on AI engine)
- DIS with built-in Gyro sensor
- Analytics events based on AI engine (NPU) : Object detection (Person/Face/Vehicle - car, truck, bus, bicycle, motorcycle/License plate), IVA (Virtual line/Area, Enter/Exit, Loitering, Direction, Intrusion)
- Analytics events : Defocus detection, Motion detection, Tampering, Fog detection  
Audio detection, Sound classification, Shock detection, Appear/Disappear
- Certification : IP66/IP67, NEMA4X, IK10

# XNO-6123R

2MP AI IR Bullet Camera



## Specifications

### Video

<b>Imaging Device</b>	1/2.8" CMOS
<b>Resolution</b>	1920x1080, 1600x1200, 1280x1024, 1280x960, 1280x720, 1024x768, 800x600, 800x448, 720x576, 720x480, 640x480, 640x360, 320x240
<b>Max. Framerate</b>	H.265/H.264: Max. 120fps/100fps(60Hz/50Hz)(WDR off) Max. 60fps/50fps(60Hz/50Hz)(WDR on) MJPEG: Max. 30fps/25fps(60Hz/50Hz)
<b>Min. Illumination</b>	Color: 0.03Lux(F1.6, 1/30sec, 30IRE) B/W : 0.003Lux(F1.6, 1/30sec, 30IRE), 0Lux(IR LED on), 30/25fps  Color: 0.06Lux(F1.6, 1/60sec, 30IRE) B/W : 0.006Lux(F1.6, 1/60sec, 30IRE), 0Lux(IR LED on), 60/50fps  Color: 0.12Lux(F1.6, 1/120sec, 30IRE) B/W : 0.012Lux(F1.6, 1/120sec, 30IRE), 0Lux(IR LED on), 120/100fps
<b>Video Out</b>	CVBS : 1.0 Vp-p / 75Ω composite, 720x480(N), 720x576(P), for installation USB : Micro USB type B, 1280x720 for installation

### Lens

<b>Focal Length (Zoom Ratio)</b>	5.2~62.4mm(12x) zoom (digital 32x, total 384x zoom)
<b>Max. Aperture Ratio</b>	F1.6(Wide) - F3.0(Tele)
<b>Angular Field of View</b>	H: 54.58(Wide)~5.30(Tele) V: 32.19(Wide)~3.00(Tele)
<b>Min. Object Distance</b>	1.5m(4.92ft)
<b>Focus Control</b>	Oneshot AF, Focus save
<b>Lens Type</b>	DC auto iris

### Pan / Tilt / Rotate

<b>Sequence</b>	Preset(300ea)
-----------------	---------------

### Operational

<b>Camera Title</b>	Displayed up to 85 characters
<b>Day &amp; Night</b>	Auto(ICR)/Color/BW/Schedule
<b>Backlight Compensation</b>	BLC, HLC, WDR, SSSR
<b>Wide Dynamic Range</b>	extremeWDR(150dB)
<b>Digital Noise Reduction</b>	WiseNR II (Based on AI engine), SSNR V
<b>Digital Image Stabilization</b>	Support(built-in gyro sensor)
<b>Defog</b>	Support
<b>Motion Detection</b>	8ea, 8point Polygonal zones
<b>Privacy Masking</b>	32ea, 4point Quadrangle zones - Color : Gray, Green, Red, Blue, Black, White - Mosaic
<b>Gain Control</b>	Support
<b>White Balance</b>	ATW / Narrow ATW / AWC / Manual / Indoor / Outdoor
<b>LDC</b>	Support (Fill/stretch mode)
<b>Electronic Shutter Speed</b>	Minimum / Maximum / Anti flicker (2~1/12,000sec) prefer shutter control(Based on AI engine)
<b>Video Rotation</b>	Flip, Mirror, Hallway view(90°/270°)

<b>Analytics</b>	Classified object type : Person/Face/Vehicle/License plate Attributes : Vehicle(Type:car/bus/truck/motorcycle/bicycle) Analytics events based on AI engine - Object detection, Virtual line*(Crossing/Direction), Virtual area*(Loitering/Intrusion/Enter/Exit) Analytics events - Defocus detection, Motion detection, Tampering, Fog detection, Audio detection, Sound classification, Shock detection, Virtual area(Appear/Disappear)  * Some of the video analytics only works with people and vehicle detection
<b>Alarm I/O</b>	2 configurable I/O ports, DC 12V output(Max. 50mA)
<b>Alarm Triggers</b>	Analytics, Network disconnect, Alarm input, App event, Time schedule
<b>Alarm Events</b>	When alarm trigger occurred - File upload(image) : e-mail/FTP - Notification : e-mail - Recording : SD/SDHC/SDXC or NAS recording at event triggers - Alarm output - Handover(PTZ preset, Send message by HTTP/HTTPS/TCP) - Audio clip playback
<b>Audio In</b>	Selectable(mic in/line in) Supply voltage: 2.5VDC(4mA), Input impedance: 2K Ohm
<b>Audio Out</b>	Line out, Max.output level: 1Vrms
<b>IR Viewable Length</b>	WiselR 90m(295.28ft)

## Network

<b>Ethernet</b>	Metal shielded RJ-45(10/100/1000BASE-T)
<b>Video Compression</b>	H.265/H.264: Main/High, MJPEG
<b>Audio Compression</b>	G.711 u-law /G.726 Selectable G.726(ADPCM) 8KHz, G.711 8KHz G.726: 16Kbps, 24Kbps, 32Kbps, 40Kbps AAC-LC: 48Kbps at 16KHz
<b>Smart Codec</b>	Manual(5ea area), WiseStream II, WiseStreamIII(Based on AI engine)
<b>Bitrate Control</b>	H.264/H.265: CBR or VBR MJPEG: VBR
<b>Streaming</b>	Unicast(20 users) / Multicast Multiple streaming(Up to 10 profiles)
<b>Protocol</b>	IPv4, IPv6, TCP/IP, UDP/IP, RTP(UDP), RTP(TCP), RTCP,RTSP, NTP, HTTP, HTTPS, SSL/TLS, DHCP, FTP, SMTP, ICMP, IGMP, SNMPv1/v2c/v3(MIB-2), ARP, DNS, DDNS, QoS, UPnP, Bonjour, LLDP, SRTP (TCP, UDP Unicast)
<b>Security</b>	TPM 2.0 (FIPS 140-2 level 2) HTTPS(SSL) Login Authentication Digest Login Authentication IP Address Filtering User access log 802.1X Authentication(EAP-TLS, EAP-LEAP, EAP-PEAP MSCHAPv2) Device Certificate(Hanwha Techwin Root CA, pre-installed) Secure by default certificate Secure OS/Boot/Storage, Verify firmware forgery
<b>Application Programming Interface</b>	ONVIF Profile S/G/T/M SUNAPI(HTTP API) Wisenet open platform

## General

<b>Webpage Language</b>	English, Korean, Chinese, French, Italian, Spanish, German, Japanese, Russian, Swedish, Portuguese, Czech, Polish, Turkish, Dutch, Greek, Hungarian
<b>Edge Storage</b>	Micro SD/SDHC/SDXC 2slot Max. 1TB (512GB * 2)
<b>Memory</b>	2GB RAM, 512MB Flash

## Environmental & Electrical

<b>Operating Temperature / Humidity</b>	-40°C~+60°C(-40°F ~ +140°F) / Less than 95% RH(Non-condensing) * Start up should be done at above -30°C Maximum Temperature based on NEMA-TS 2(2.2.7) : +74°C(+165°F) Humidity control /w GORE vent
<b>Storage Temperature / Humidity</b>	-50°C~+60°C (-58°F~+140°F) / Less than 95% RH(Non-condensing)
<b>Certification</b>	IP66/67, IK10, NEMA4X, NEMA-TS 2(2.2.8, 2.2.9)
<b>Input Voltage</b>	PoE+(IEEE802.3at, Class4), 12VDC
<b>Power Consumption</b>	PoE+: Max 19.5W, typical 15.5W 12VDC: Max 16.5W, typical 13.1W Power redundancy failover

**Mechanical**

<b>Color / Material</b>	White / Aluminum Hard-coated window
<b>RAL Code</b>	RAL9003
<b>Product Dimensions / Weight</b>	Ø93.4x298.4mm(3.68"x11.75") / 2300g(5.07 lb)
<b>Compatible Conduit hole / Gangbox</b>	3/4" (M25) single, double, 4" octagon, 4" square

**DORI (EN62676-4 standard)**

<b>Detect (25PPM/ 8PPF)</b>	Wide: 74.4m(244.19ft) / Tele: 829.7m(2721.97ft)
<b>Observe (63PPM/ 19PPF)</b>	Wide: 29.8m(97.68ft) / Tele: 331.9m(1088.79ft)
<b>Recognize (125PPM/ 38PPF)</b>	Wide: 14.9m(48.84ft) / Tele: 165.9m(544.39ft)
<b>Identify (250PPM/ 76PPF)</b>	Wide: 7.4m(24.42ft) / Tele: 83.0m(272.20ft)

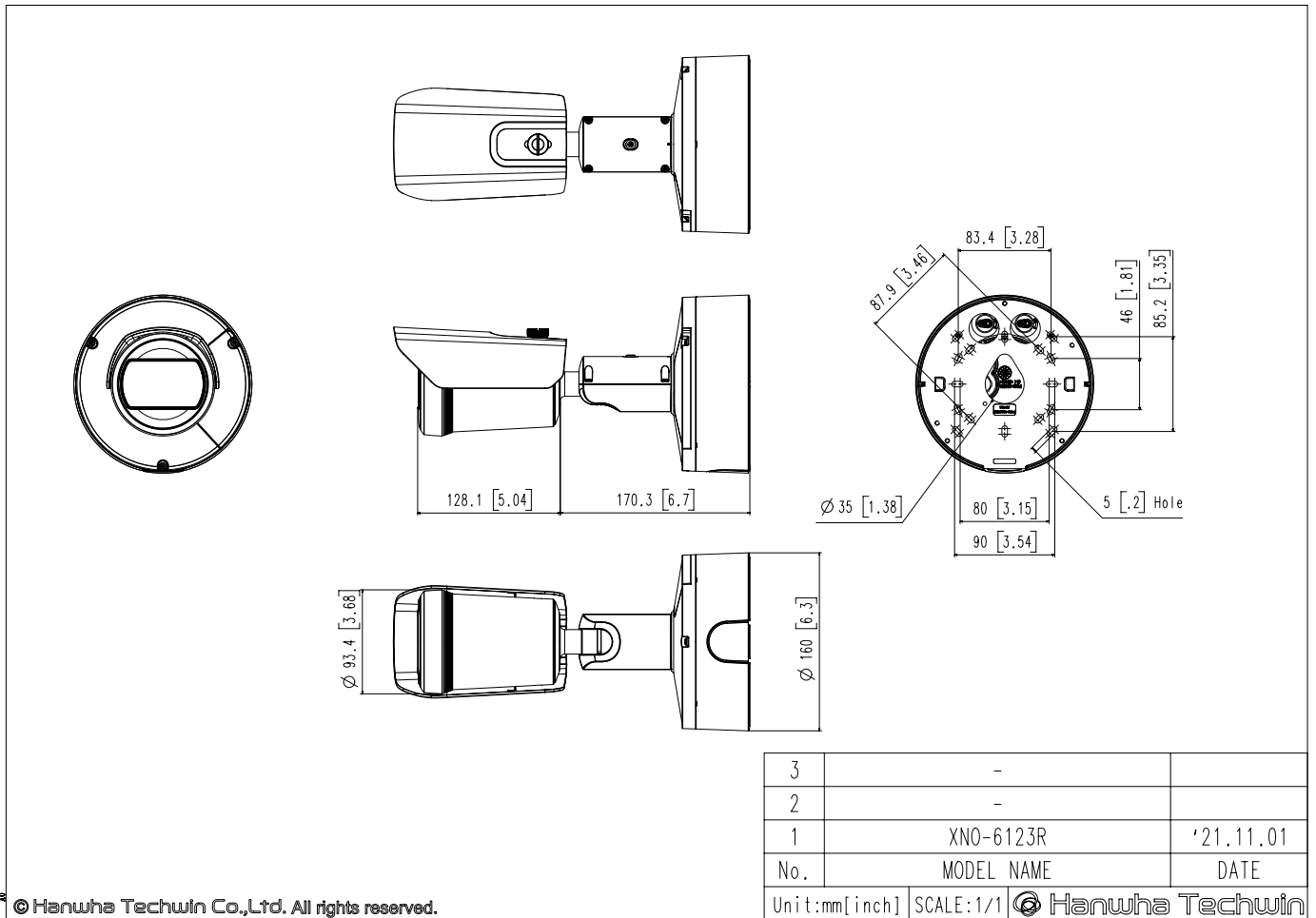
# XNO-6123R

2MP AI IR Bullet Camera



CAD

Unit: mm [inch]



© Hanwha Techwin Co., Ltd. All rights reserved.