

# QNO-8010R/8020R/8030R

5MP Network IR Bullet Camera

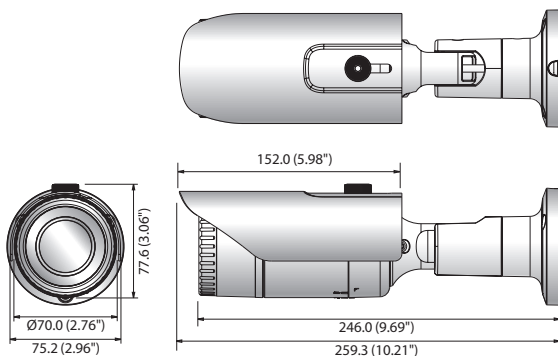


## Key Features

- Max. 5Megapixel (2592 x 1944) resolution
- 2.8mm/4mm/6mm fixed lens
- 0.15Lux (Color), 0Lux (B/W, IR LED on)
- Max. 30fps@5MP (H.265 / H.264)
- H.265, H.264, MJPEG codec support, Multiple streaming
- Day & Night, WDR (120dB)
- Tampering, Motion detection, Defocus detection
- Micro SD / SDHC / SDXC memory slot (Max. 128GB)
- Hallway view, WiseStream II support
- IR Viewable length 20m/25m/30m
- IP66, IK10, PoE

## Dimensions

Unit : mm (inch)



## Accessories (Optional)



SBO-100B1



SBP-302PM

|                                   | QNO-8010R  | QNO-8020R  | QNO-8030R  |
|-----------------------------------|--|--|--|
| <b>VIDEO</b>                      |  |  |  |
| Imaging Device                    | 1/2.8" 5MP CMOS  |  |  |
| Effective Pixels                  | 2592(H) x 1944(V)  |  |  |
| Min. Illumination                 | Color : 0.15Lux (F2.0, 1/30sec)<br>BW : 0Lux (IR LED on)   | Color : 0.15Lux (F1.6, 1/30sec)<br>BW : 0Lux (IR LED on) | Color : 0.15Lux (F2.0, 1/30sec)<br>BW : 0Lux (IR LED on) |
| Video Out                         | CVBS : 1.0 Vp-p / 75Ω composite, 720 x 480(N), 720 x 576(P) for installation   |  |  |
| <b>LENS</b>                       |  |  |  |
| Focal Length (Zoom Ratio)         | 2.8mm fixed focal  | 4.0mm fixed focal  | 6.0mm fixed focal  |
| Max. Aperture Ratio               | F2.0   | F1.6   | F2.0   |
| Angular Field of View             | H : 104.7°/V : 76.5°/D : 136.0°  | H : 79.8°/V : 58.1°/D : 105.9°                           | H : 49.4°/V : 37.4°/D : 61.0°                            |
| Focus Control                     | Fixed  |  |  |
| <b>PAN / TILT / ROTATE</b>        |  |  |  |
| Pan / Tilt / Rotate Range         | 0°~350° / 0°~67° / 0°~355°   |  |  |
| <b>OPERATIONAL</b>                |  |  |  |
| IR Viewable Length                | 20m(65.62ft)   | 25m(82.02ft)   | 30m(98.42ft)   |
| Camera Title                      | Displayed up to 85 characters  |  |  |
| Day & Night                       | Auto (ICR)   |  |  |
| Backlight Compensation            | BLC, WDR, SSSDR  |  |  |
| Wide Dynamic Range                | 120dB  |  |  |
| Digital Noise Reduction           | SSNR   |  |  |
| Motion Detection                  | 4ea, polygonal zones   |  |  |
| Privacy Masking                   | 6ea, rectangular zones   |  |  |
| Gain Control                      | Low / Middle / High  |  |  |
| White Balance                     | ATW / AWC / Manual / Indoor / Outdoor  |  |  |
| LDC                               | Support  |  |  |
| Electronic Shutter Speed          | Minimum / Maximum / Anti flicker (1/5~1/12,000sec)   |  |  |
| Video Rotation                    | Flip, Mirror, Hallway view(90°/270°)   |  |  |
| Analytics                         | Defocus detection, Directional detection, Motion detection, Enter/Exit, Tampering, Virtual line  |  |  |
| Alarm I/O                         | Input 1ea / Output 1ea   |  |  |
| Alarm Triggers                    | Analytics, Network disconnect, Alarm input   |  |  |
| Alarm events                      | File upload via FTP and e-mail, Notification via e-mail, SD/SDHC/SDXC or NAS recording at event triggers, Alarm output   |  |  |
| <b>NETWORK</b>                    |  |  |  |
| Ethernet                          | RJ-45(10/100BASE-T)  |  |  |
| Video Compression                 | H.265/H.264 : Main/High, MJPEG   |  |  |
| Resolution                        | 2592 x 1944, 1920 x 1080, 1280 x 960, 1280 x 720, 800 x 600, 800 x 448, 720 x 576, 720 x 480, 640 x 480, 640 x 360   |  |  |
| Max. Framerate                    | H.265/H.264 : Max. 30fps/25fps (60Hz/50Hz) / MJPEG : Max. 15fps/12fps (60Hz/50Hz)  |  |  |
| Smart Codec                       | WiseStream II  |  |  |
| Video Quality Adjustment          | H.264/H.265 : Target bitrate level control / MJPEG : Quality level control   |  |  |
| Bitrate Control                   | H.264/H.265 : CBR or VBR / MJPEG : VBR   |  |  |
| Streaming                         | Unicast (6 users) / Multicast / Multiple streaming (Up to 3 profiles)  |  |  |
| Protocol                          | IPv4, IPv6, TCP/IP, UDP/IP, RTP(UDP), RTP(TCP), RTCP, RTSP, NTP, HTTP, HTTPS, SSL/TLS, DHCP, FTP, SMTP, ICMP, IGMP, SNMPv1/v2c/v3(MIB-2), ARP, DNS, DDNS, QoS, PIM-SM, UPnP, Bonjour, LLDP |  |  |
| Security                          | HTTPS (SSL) login authentication, Digest login authentication, IP address filtering, User access log, 802.1X authentication (EAP-TLS, EAP-LEAP)  |  |  |
| Edge Storage                      | Micro SD/SDHC/SDXC 1slot 128GB   |  |  |
| Application Programming Interface | ONVIF Profile S/G/T<br>SUNAPI (HTTP API)<br>Wisenet open platform  |  |  |
| Webpage Language                  | English, Korean, Chinese, French, Italian, Spanish, German, Japanese, Russian, Swedish,, Portuguese, Czech, Polish, Turkish, Dutch, Hungarian, Greek                                       |  |  |

|                                  | QNO-8010R   | QNO-8020R | QNO-8030R |
|----------------------------------|---|-----------|-----------|
| Web Viewer                       | Supported OS : Windows 7, 8.1, 10, Mac OS X 10.10, 10.11, 10.12, 10.13, 10.14<br>Recommended Browser : Google Chrome<br>Supported Browser : MS Explorer11, MS Edge, Mozilla Firefox (Windows 64bit only),<br>Apple Safari (Mac OS X only) |           |           |
| Memory                           | 512MB RAM, 256MB Flash  |           |           |
| <b>ENVIRONMENTAL</b>             |   |           |           |
| Operating Temperature / Humidity | -30°C ~ +55°C (-22°F ~ +131°F) / Less than 90% RH<br>* Start up should be done at above -20°C   |           |           |
| Storage Temperature / Humidity   | -30°C ~ +60°C (-22°F ~ +140°F) / Less than 90% RH   |           |           |
| Certification                    | IP66, IK10  |           |           |
| <b>ELECTRICAL</b>                |   |           |           |
| Input Voltage                    | PoE (IEEE802.3af, Class3)   |           |           |
| Power Consumption                | PoE : Max 7.5W, typical 6.1W  |           |           |
| <b>MECHANICAL</b>                |   |           |           |
| Color / Material                 | Dark grey / Aluminum  |           |           |
| Product dimensions / weight      | Ø70.0 x 246.0mm (Ø2.76 x 9.69"), 680g (1.499 lb)  |           |           |

\* The latest product information / specification can be found at [hanwha-security.com](http://hanwha-security.com)

\* Design and specifications are subject to change without notice.

\* Wisenet is the proprietary brand of **Hanwha Techwin**.