



## SensoMAG Series Fire Bases



- B24 - Standard base
- B24D - Standard base with Schottky diode
- B24RD - Standard base with Schottky diode and increased alarm state current (50mA)
- B12 - Base with relay output, 12V;  
Application: Intruder Alarm Systems;  
(not covered by EN 54 - 5/7).

## S 30 - Optical Smoke Detector



The S30 is high sensitive optical smoke detector. It is suitable for applications where early detection of smoke or fire is with great importance (e.g. in office buildings, supermarkets, schools etc.).

Digital processing algorithm

Protected area in accordance with EN 54-7: up to 120m<sup>2</sup>

Two LED indicators for fire alarm providing 360° visibility

Status LED indication (every 8 s)

Low profile design

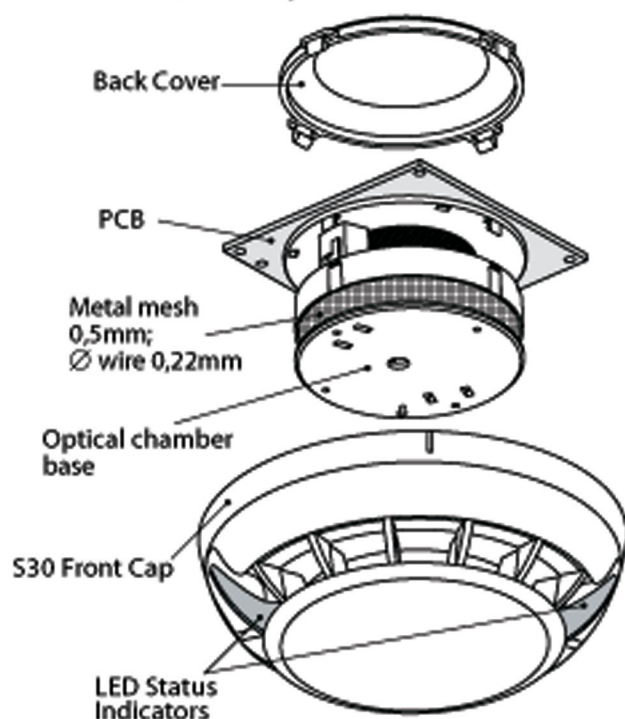
Automatic drift compensation for reducing of false alarms and increasing the maintenance period

Low current consumption in quiescent state - 750µA

Power Supply: 9-30V DC

Associable with: B12, B24, B24D, B24RD, FRL-1

S 30 - Exploded View



## M40 - Multi Criteria Detector



M40 is a multi-criteria smoke and rate-of-rise heat detector. It is the right choice for applications where the early detection of a fire is important and high reliability is needed - in timbered, museums, hotel rooms.

Digital processing algorithm

Class in accordance with EN 54-5/7: A1/R

Protected area in accordance with EN 54-7: up to 120 m<sup>2</sup>

Status LED indication (every 8 s)

Automatic drift compensation for reducing of false alarms

Dual rate-of-rise heat works with photo chamber to catch fires faster

Low current consumption in quiescent state - 750µA

Power Supply: 9-30V DC

Associable with: B12, B24, B24D, B24RD, FRL-1

M40 - Exploded View

