

# RoLP Solista - Sounder with LED

The use of beacons to supplement audible alarms is becoming increasingly common. A combined sounder beacon allows both an audible and visual alarm to be provided but requires only a single installation point. LED beacons have a dramatically lower current consumption than that of traditional xenon beacons making them ideal for applications where sounder circuit capacity is limited.

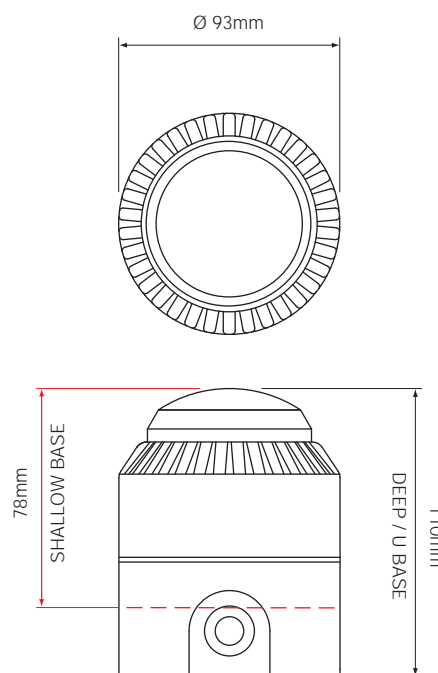


## Technical Specification

Voltage	9 - 15Vdc 18 - 28Vdc
Current	15mA (Typical Tone 3)
Sound Output	102dB(A) (Typical Tone 3)
Tones	32
Light Output	> 0.5cd
Flash Rate	1Hz
Volume Control	10dB
Monitoring	Reverse polarity
Temperature	- 10°C to + 55°C
Protection	IP54 (s)* IP65 (d)*
Construction	ABS, PC lens
Weight	0.3Kg
Colours	Red or white
Flash Colour	Red

(s)\* Shallow Base

(d)\* Deep / U Base



## Features

- Low current – LED technology
- Single installation point
- 32 tones (user selectable)
- Two stage alarm

## Benefits

- Reduced current consumption vs. Xenon alternative
- Beacon and sounder in one package
- Fire approved and general signalling tone options
- Alert and alarm function

## Reference

ROLPSB/SV/RL/R/S  
ROLPSB/SV/RL/R/D  
ROLPSB/SV/RL/W/S  
ROLPSB/SV/RL/W/D  
ROLPSB/SV/RL/R/N  
ROLPSB/SV/AL/W/D

## Catalogue No.

8210112FULL-0015X  
8210113FULL-0016X  
8210114FULL-0017X  
8210115FULL-0018X  
8210111FULL-0004X  
8210125FULL-0007X

## Description

RoLP SB, Red LED Beacon, Red lens, Red body, Shallow base  
RoLP SB, Red Body & Red LED Beacon, Deep base  
RoLP SB, Red LED Beacon, Red lens, White body, Shallow base  
RoLP SB, Red LED Beacon, Red lens, White body, Deep base  
RoLP SB/Red LED Beacon, Red lens, Red body, No base  
RoLP SB, Amber LED Beacon, Amber lens, White body, Deep base