

## PFA139

### Water-proof Junction Box



### Features

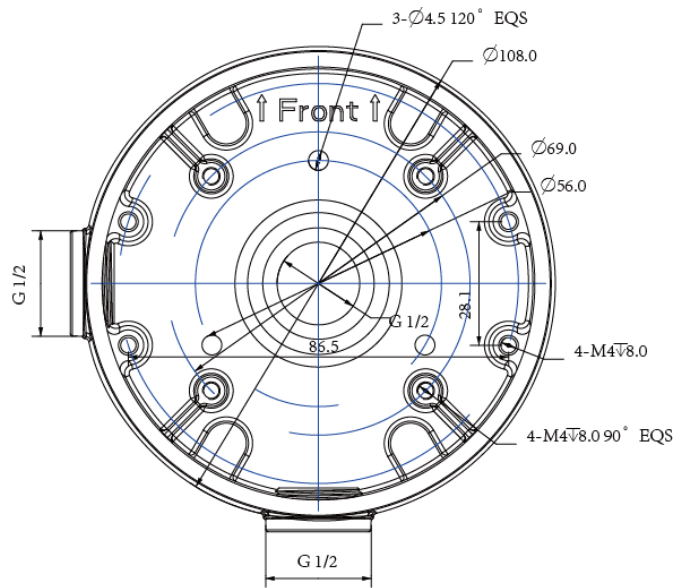
- Material: Aluminum
- Junction Box
- Neat & Integrated design

### Specifications

Model	PFA139
<b>General</b>	
Material	Aluminum
Dimension	φ108.0x28.5mm
Inch Thread	M20(G1/2")
Operating Temperature	-40°C ~60°C
Humidity	0~90% RH
Load Bearing	1.0Kg
Weight	0.16Kg
Color	White
Applicable Model	Please see "Accessory Selection"

# PFA139

## Dimensions (mm)



## Application

