

DH-IPC-HF7442F-FR

4MP AI BOX Network Camera



System Overview

With advanced chip, image sensor and deep learning algorithm, Dahua Ultra-AI Series network camera supports various intelligent functions and meets customers' requirements in different scenes. Adopting excellent image processing technology, Dahua AI network camera performs well in WDR and low illuminance environment. For intelligent functions, it supports face detection, people counting, perimeter protection, video metadata (vehicle, non-motor vehicle, person detection and snapshot). The camera provides better solution to image processing and intelligent application.

Functions

People Counting

People counting adopts deep learning algorithm to detect human body target, and tracks the target in real time, which realizes independent statistics of entry number and exit number. And the accuracy rate is up to 98%.

Video Structurization

Video metadata adopts deep learning algorithm to detect vehicle, non-motor vehicle and people in the image, track the target in real time, and then capture the target and extract attributes.

Ultra WDR

Standard WDR/HDR camera can provide 120 dB dynamic range. However, for some scenes with wider contrast range, 120 dB is slightly insufficient. By adopting the latest technology, Dahua Cameras can provide an amazing dynamic range up to 140 dB.

Smart H.265+

Smart H.265+ is an effective coding method based on H.265. Comparing with H.265, smart H.265+ improves efficiency more than 70% through auto scene judgement, dynamic ROI and dynamic GOP. Smart H.265+ provides better solution to save storage, bandwidth and power consumption.

EPOE

Dahua ePoE technology, designed internally, adopts advanced 2D-PAM3 coding modulation from physical layer, and realizes full duplex transmission over 800 meters at the speed of 10 Mbps, or 300 meters at the speed of 100 Mbps via Cat 5 or coaxial cable media. Besides, it supports

- 4MP, 1/1.8" CMOS image sensor, low illuminance, high image definition
- Max outputs 4MP (2688 × 1520) @25 fps/30 fps, meets high frame rate requirement, and max. supports 60 fps
- H.264 & H.265 coding, high compression ration
- WDR, day/night, 3D DNR, AWB, HLC, BLC
- ROI, SVC, SMART H.264/H.265, flexible coding, applicable to various bandwidth and storage environments
- With deep learning algorithm, it supports people counting, face recognition, perimeter protection, and video metadata
- 24V AC/POE/12V DC power support
- Five streams for three-channel HD video display



PoE and PoC power supply technology which has greatly simplified construction and wiring. Dahua ePoE technology offer a new way to accomplish long distance transmission between IP camera and network switch. It allows more flexible surveillance system design, improves reliability and saves construction and wiring cost.

Face Recognition

Once facial features are extracted from captured faces, they are stored in a database where they can be easily searched and compared against other images. Once a successful match is found, the system outputs the result. The Dahua Face Recognition camera supports a built-in database that stores up to 200,000 facial images, helping the camera achieve real-time face capture and comparison.

Perimeter Protection

Dahua's Perimeter Protection functions significantly improved accuracy. Perimeter Protection reduces false alarms and decreases pixel count requirements for object detection. Perimeter Protection features custom tripwires based on object type for automation in limited access areas such as pedestrian or vehicle-only zones. This combination of advanced AI analytics and real-time alerts to a desktop or to a mobile client reduces system requirements and resources resulting in greater surveillance system efficiency.

Technical Specification		Stream Capability	5 streams
Camera		Resolution	4M (2688 × 1520), 3M (2304 × 1296), 1080p (1920 × 1080), 1.3M (1280 × 960), 720P (1280 × 720), D1 (704 × 576/704 × 480), VGA (640 × 480), CIF (352 × 288/352 × 240)
Image Sensor	1/1.8" 4Megapixel progressive CMOS	Bit Rate Control	CBR/VBR
Effective Pixels	2688 (H) × 1520 (V)	Video Bit Rate	H.264: 32–10240 kbps H.265: 12–10240 kbps
ROM	16 GB	Day/Night	ICR switch
RAM	2 GB	BLC	Yes
Scanning System	Progressive	WDR	140 dB
Electronic Shutter Speed	Auto/Manual 1/3 s–1/100000 s	White Balance	Auto/natural/street lamp/outdoor/manual/regional custom
Min. Illumination	0.001 Lux@F1.5 (Color, 1/3 s, 30IRE)	Gain Control	Manual
Lens		Noise Reduction	3D DNR
Lens Type	Manual zoom	Region of Interest(Rol)	Yes (4 areas)
Mount Type	C/CS	Electronic Image Stabilization(EIS)	Yes
Smart event		Smart IR	Yes (Adjust by user)
General IVS Analytics	Abandoned object, moving object	Defog	Yes
Professional, intelligent		Image Rotation	0°/90°/180°/270° (Supports 90°/270° with 1080p resolution or below.)
Perimeter Protection	Tripwire, intrusion (Recognition of vehicle and people), fast moving, loitering detection, parking detection and people gathering.	Mirror	Yes
Face Snapshot	Yes	Privacy Masking	4 areas
Face Recognition	Face recognition, track, priority, snapshot, face enhancement, face exposure, face attribute extract, 6 attributes and 8 expressions: Gender, age, glasses, expressions (anger, sadness, disgust, fear, surprise, calm, happiness and confusion), mask, beard Face matting setting: face, single inch photo Two snapshot strategies: priority snapshot, recognition Face angle filter Priority time setting Management of 5 group face libraries Single person register and person register in batch Face recognition and similarity setting Max supports face contrast in face library with 200,000 faces	Audio	
Video Structurization	Vehicle detection, non-motor vehicle detection, personnel detection, face detection, track, snapshot, optimization, report high quality picture, vehicle attributes (license plate, vehicle type, vehicle color, and vehicle brand), other attributes (sun visor, seatbelt, smoking, phoning, in-car accessories, and annual vehicle inspection mark), non-motor vehicle attributes: vehicle type, vehicle color, driver number, cloth type, cloth color, and hat), personnel attribute (cloth type, trousers type, cloth color, trousers color, knapsack, and gender), face attribute (gender, age, glasses, mask, and beard)	Audio Compression	G.711a, G.711Mu, G726, AAC
Intelligent Search	Work together with Smart NVR to perform refine intelligent search, event extraction and merging to event videos.	Network	
Video		Network	RJ-45 (100/1000 Base-T)
Video Compression	H.265, H.264, H.264H, H.264B, MJPEG	Protocol	HTTP, TCP, ARP, RTSP, RTP, UDP, RTCP, SMTP, FTP, DHCP, DNS, DDNS, PPPoE, IPv4/v6, SNMP, QoS, UPnP, NTP
Smart Codec	H.264: Yes H.265: Yes	Interoperability	ONVIF(Profile S/Profile G); CGI; P2P; RTMP
Video Frame Rate	Main Stream: 2688 × 1520 (1–50/60 fps) sub stream 1: 704 × 576 (1–25/30 fps) sub stream 2: 1920 × 1080 (1–25/30 fps) sub stream 3: 1920 × 1080 (1–25/30 fps) sub stream 4: 704 × 576 (1–25/30 fps)	Scene self-adaptation	Yes
		User/Host	20
		Edge Storage	FTP; Micro SD card (256 G); NAS; SFTP
		Browser	IE: Versions later than IE9 Google: Versions later than Chrome 42 Firefox: Versions later than Firefox 48.0.2
		Management Software	Smart PSS, DSS PRO, NVR, IVSS
		Mobile Phone	IOS, Android
		Certification	
		Certifications	CE-LVD: EN60950-1 CE-EMC: Electromagnetic Compatibility Directive 2014/30/EU FCC: 47 CFR FCC Part 15, Subpart B UL/CUL: UL60950-1 CAN/CSA C22.2 No.60950-1-07

Port

RS-485	1 (Bit rate: 1200 bps-115200 bps)
Audio Input	Audio Interface: 2/2 channel In/Out
Audio Output	
Alarm Input	2 channel In: 5mA 5V DC
Alarm Output	2 channel Out: 1000mA 30V DC/500mA 50V AC

Power

Power Supply	12V DC/24V AC/POE
Power Consumption	<14.4W

Environment

Operating Temperature	-30°C to +60°C (-22°F to +140°F)
Operating Humidity	≤95%
Storage Temperature	-30°C to +60°C (-22°F to +140°F)

Structure

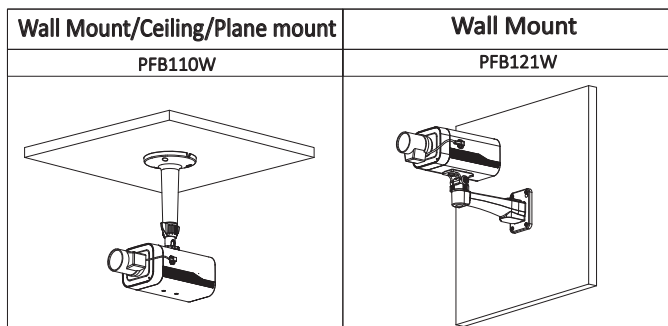
Casing	Metal
Dimensions	86 mm×74 mm×150 mm (3.39" × 2.91" × 5.91") (L × W × H)
Net Weight	0.8 kg (1.76 lb)
Gross Weight	0.9 kg (1.98 lb)

Ordering Information

Type	Part Number	Description
4MP Camera	DH-IPC-HF7442FP-FR	4MP AI BOX Network Camera
	DH-IPC-HF7442FN-FR	
	IPC-HF7442FP-FR	
	IPC-HF7442FN-FR	
Accessories (optional)	DH-PFB110W	Wall /Ceiling/Plane mount
	DH-PFB121W	Wall Mount
	DH-PLZ21C0-D	10.5-42 mm
	DH-PLZ20C0-D	3.7-16 mm
	PFH610V-IR	Housings

Accessories

Optional:



Dimensions (mm/inch)

