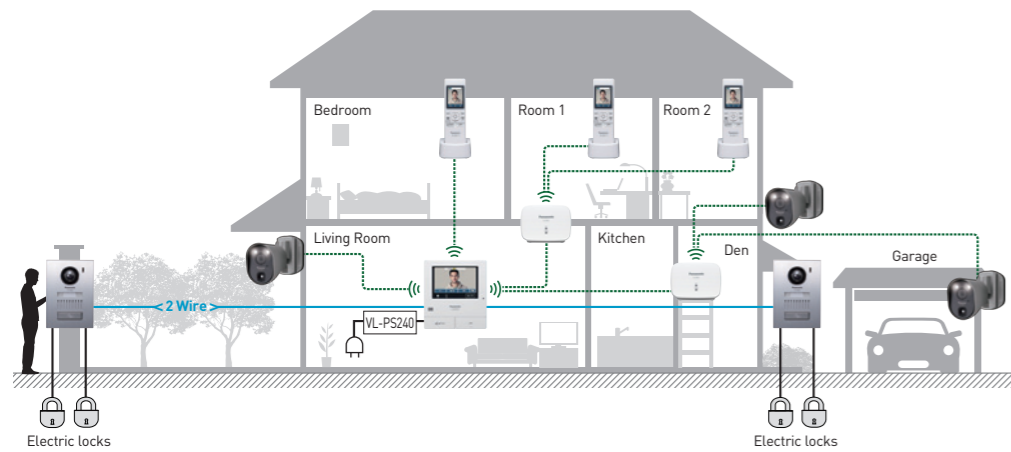


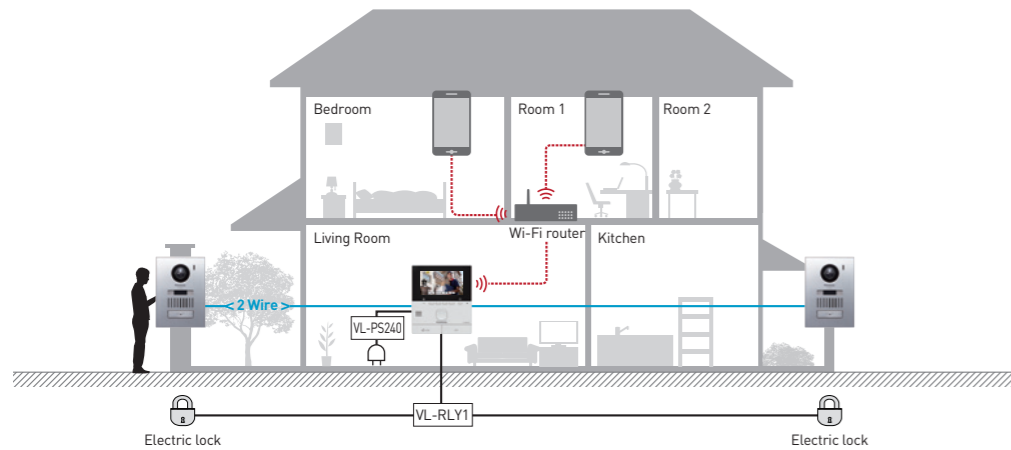
System Configuration Example



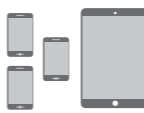
Wireless Video Intercom System VL-SWD501



System Units	
Main Monitor Station VL-MWD501 	Wireless Monitor Station VL-WD613 Up to 6 
Door Station VL-V554 Up to 2 	DECT Repeater VL-FKD2 Up to 2 
Wireless Sensor Camera VL-WD812 Up to 4 	

Video Intercom System VL-SVN511



System Units	
Main Monitor Station VL-MVN511 	Door Station VL-V555 Up to 2 
	Mobile Devices Up to 4 

Panasonic

VIDEO INTERCOM SYSTEM LINE-UP CATALOGUE



Lifestyle Security at Home

Trademarks and registered trademarks

- Wi-Fi is a trademark or registered trademark of Wi-Fi Alliance.
- iPhone and iPad are trademarks of Apple Inc., registered in the U.S. and other countries.
- Android is a trademark of Google Inc.
- SDXC Logo is a trademark of SD-3C, LLC.
- The software of the sub monitor is based in part on the work of the Independent JPEG Group.
- All other trademarks identified herein are the property of their respective owners.

Important

- Safety Precaution: Carefully read the operating instructions and installation manual before using this product.

- The actual product may vary slightly from the photograph.
- All pictures of the LCD display are simulated.
- Weights and dimensions are approximate.
- Design and specifications are subject to change without notice.
- These products may be subject to export control regulations.

DISTRIBUTED BY :

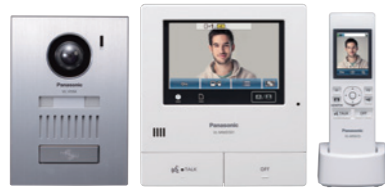
Panasonic®

VIEW AND TALK FLEXIBLY

Panasonic offers various Video Intercom System models to flexibly suit the size of your house and your lifestyle.



Stylish Premium Wireless Model VL-SWD501



Door Station x 1, Main Monitor x 1,
Wireless Sub Monitor x 1

Smartphone Connect Model VL-SVN511



Door Station x 1, Main Monitor x 1

Comparison Chart

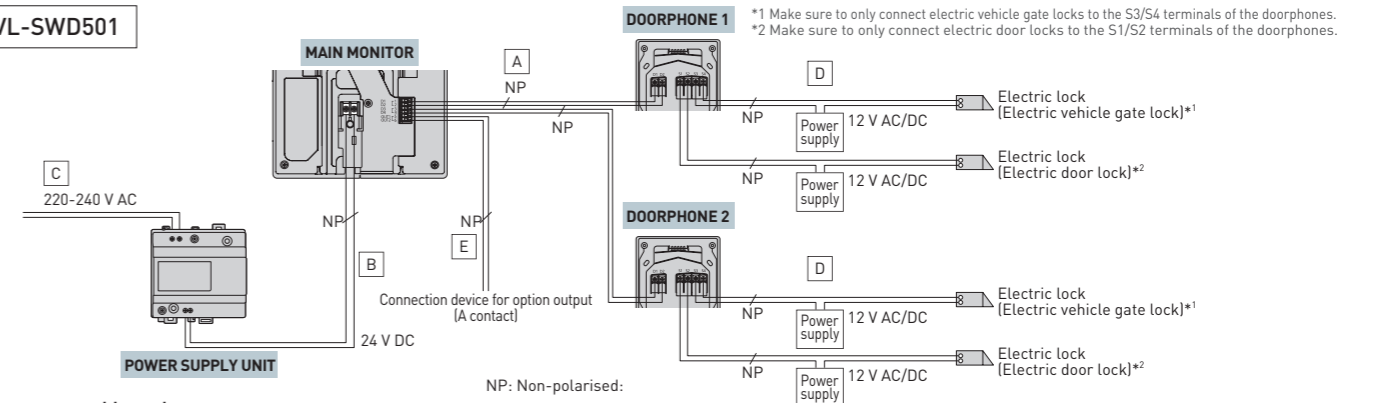
Model Number	VL-SWD501	VL-SVN511
Maximum Connectable Units	Main Monitor	1
	Smartphone/Tablet	—
	Wireless Sub Monitor	6 (DECT)
	Door Station (Doorphone)	2 (Die-Cast Aluminium)
Recording	Movie/Picture Recording	●/●
	SD Card Recording	●
Connectable Devices	Sensor Camera	● (4)
	Electric Lock Release (Door Opener)	● (2)*2
	Repeater	● (2)
Others	Night Vision (LED Light)	●
	Touch Panel/Pan & Tilt	●
	Wide Angle Camera	●
	Intercom Call	● (Wireless)
	Voice Changer	●

*1 The main monitor must be on the same home Wi-Fi network as a smartphone/tablet [with the dedicated app installed].

*2 When connecting 2, an optional Door Station is required.

Wiring Schematic Diagram

VL-SWD501



Wire type and length

Wiring run	Wire type*1	Length (Max.)		
		Diameter	Length (Max.)	
Main monitor – Doorphone	A	φ 0.65 mm	22 AWG	100 m
		φ 1.0 mm	18 AWG	130 m
		φ 0.5 mm	CAT 5	50 m
Main monitor – Power supply unit	B	φ 0.65 mm	22 AWG	10 m
		φ 1.0 mm	18 AWG	20 m
Power supply unit – AC power source	C	φ 1.2 mm – φ 2.0 mm (17 AWG – 12 AWG)	No requirement	
Doorphone – Electric lock*2	D	φ 0.5 mm – φ 1.2 mm (24 AWG – 17 AWG)	According to specification of connected device.	
Main monitor – Connection device for option output (A contact)*2	E	φ 0.5 mm – φ 1.2 mm (24 AWG – 17 AWG)	According to specification of connected device.	
Wireless sensor camera – Power supply unit	—	φ 0.65 mm	22 AWG	50 m
		φ 1.0 mm	18 AWG	100 m
Power supply unit (for wireless sensor camera) – AC power source	—	φ 1.2 mm – φ 2.0 mm (17 AWG – 12 AWG)	No requirement	
Wireless sensor camera – External sensor	—	φ 0.5 mm – φ 0.8 mm (24 AWG – 20 AWG)	According to specification of connected device. Must be no longer than 20 m.	

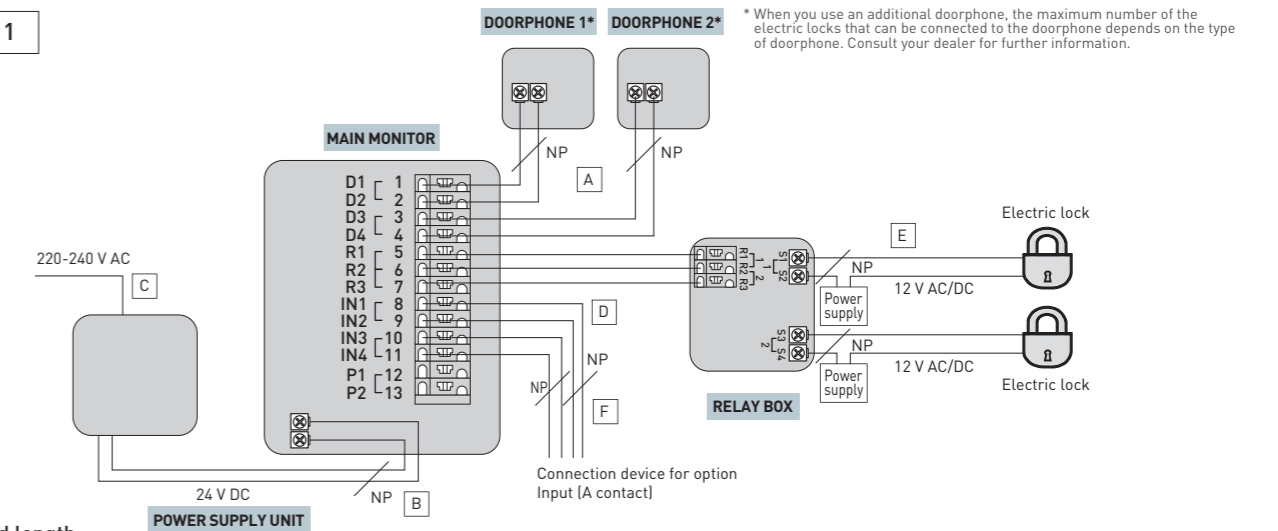
*1 Type: Single-pair cable with outer sheath (jacket)
Conductor: Copper solid

*A certified power supply wiring has to be used with this equipment. The relevant national installation and/or equipment regulations shall be considered. A certified power supply wiring not lighter than ordinary polyvinyl chloride flexible wiring according to IEC 60227 shall be used.

*2 When using an electric lock or a connection device for option output (A contact), select a device that meets the following guidelines:

- Electric lock connection terminal (S1/S2, S3/S4): - N/O dry closure contact
- 12 V AC/DC, less than 1 A
- Connection device for option output (A contact) terminal (OUT1/OUT2): - 24 V AC/DC, less than 0.3 A (minimum contact: 5 V DC 1 mA)

VL-SVN511



Wire type and length

Wiring run	Wire type*1	Length (Max.)		
		Diameter	Length (Max.)	
Main monitor – Doorphone (including lobby station)	A	φ 0.65 mm	22 AWG	100 m
		φ 1.0 mm	18 AWG	130 m
		φ 0.5 mm	CAT 5	50 m
Main monitor – Power supply unit	B	φ 0.65 mm	22 AWG	10 m
		φ 1.0 mm	18 AWG	20 m
Power supply unit – AC power source	C	φ 1.2 mm – φ 2.0 mm (17 AWG – 12 AWG)	No requirement	
Main monitor – Relay box	D	φ 0.65 mm	22 AWG	100 m
Relay box – Electric lock*2	E	φ 1.0 mm	18 AWG	130 m
		φ 0.5 mm – φ 1.2 mm (24 AWG – 17 AWG)	According to specification of connected device.	
Main monitor – Connection device for option input (A contact)*2	F	φ 0.5 mm – φ 1.2 mm (24 AWG – 17 AWG)	According to specification of connected device.	

*1 Type: Single-pair cable with outer sheath (jacket)
Conductor: Copper solid

*A certified power supply wiring has to be used with this equipment. The relevant national installation and/or equipment regulations shall be considered. A certified power supply wiring not lighter than ordinary polyvinyl chloride flexible wiring according to IEC 60227 shall be used.

*2 When using an electric lock or a connection device for option input (A contact), select a device that meets the following guidelines:

- Electric lock connection terminal (S1/S2, S3/S4): - N/O dry closure contact
- 12 V AC/DC, less than 1 A
- Connection device for option input (A contact) terminal (IN1/IN2/IN3/IN4): - Input method: No-voltage contact
- Open-circuit voltage between terminals: DC 7 V or less
- Detection definite time: 0.1 second or more
- Short-circuit between terminals: 5 mA or less
- Resistance value: make: 500 Ω or less make, break: 15 KΩ or more

Stylish Premium Wireless Model

Wireless Video Intercom System VL-SWD501



* Easy installation by simply replacing existing doorbell unit Nonpolar 2-wire system.

DECT Wireless

The wireless design means that there is no troublesome wiring required when adding on to the system as well. You can add on up to 6 sub monitors and 4 DECT Wireless Sensor Cameras for large homes, and easily confirm visitors from a monitor in each room.



Touch Panel

The main monitor has a 5-inch wide screen that clearly shows each visitor's face. If it is difficult to see, simply touch the screen to activate an approximate 2x zoom horizontally and vertically. This makes it easy for everyone to see, and provides an easy-to-use operating screen.



SD Card Recording

You can automatically record video images of visitors while you're away from home. It will record up to 3,000 visitors (30 seconds per visitor). And you can save and play the images on a PC that has an SD card slot.



Other Features

- Electric Lock Release Support : AC12V-1A/DC12V-1A
- Wide-Angle Camera (Horizontally:170°, Vertically:115°)
- SD Card Recording (Stores up to 3,000 video recordings, each 30 sec in length)
- Wireless Sensor Cameras Connectable
- Flexible and Easy Expandability
- Easy Extension
- Voice Changer
- Intercom Call

Options



Related Product



Smartphone Connect Model

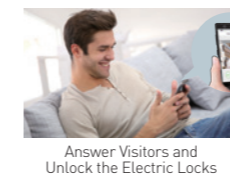
Video Intercom System VL-SVN511



* Easy installation by simply replacing existing doorbell unit Nonpolar 2-wire system.

Smartphone Connect*1

You can use your smartphone or tablet as a sub monitor to respond to visitors and open electric locks no matter where you are in the home. You can also monitor doorphone images when you want to check the door entrance.



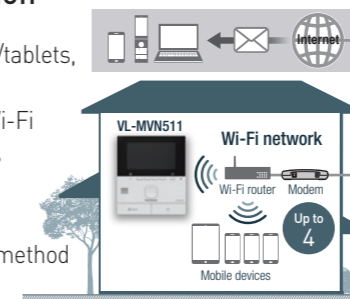
E-mail Notification*2

The main monitor can send e-mail with a time stamp and image of visitors to e-mail addresses registered in advance, enabling you to check who has visited when you are outside the house (even when you are overseas).



Wi-Fi Connection

In addition to smartphones/tablets, the main monitor can also wirelessly connect to the Wi-Fi router for easy connections without a cable. You can configure Wi-Fi settings using a simplified method (called WPS).



Other Features

- Supports iOS and Android™ (free application)
 - iPhone 5 and later, iPad (iOS 7.0 or later)
 - Android smartphones and tablets (Android 4.0 or later)
- Electric Lock Release Support: VL-RLY1 (12 V AC/DC, less than 1 A)
- Picture Recording (Up to 400 images/50 visitors (8 shots per visitor))
- Wide-Angle Camera (Horizontally:170°, Vertically:130°)
- Night Vision (white coloured LED lights)
- Voice Changer

Options



*1 The main monitor must be on the same home Wi-Fi network as a smartphone/tablet (with the dedicated app installed). It is also necessary to run the dedicated app in order to receive visitor's calls on a smartphone/tablet.

*2 To use this function, a main monitor with e-mail sender information registered must be connected to the internet. E-mail may not be able to be sent, depending on the condition of the network.

Model Composition



Model number and name	VL-MWD501EX	VL-V554EX (Surface mount) VL-V554UEX (Flush mount)	VL-WD613EX	
	Main Monitor Station (Main monitor)	Door Station (Doorphone)	Wireless Monitor Station (Sub monitor)	
			Main body	Charger
Dimensions (Unit: mm)				
Power source	Power supply unit [VL-PS240] 24 V DC, 0.5 A	Power supplied by the main monitor 20 V DC, 0.23 A	Rechargeable Ni-MH [AAA x 2]	AC adaptor [PNLV226CE/PNLV226E] Input: 220-240 V AC, 0.1 A, 50/60 Hz Output: 5.5 V DC, 0.5 A
Power consumption	Standby: Approx. 1.4 W During operation: Approx. 10 W	—	—	Standby: Approx. 0.4 W (when the sub monitor is not placed in the charger) During charging: Approx. 1.4 W
Dimensions (H x W x D) [Excluding protruding sections]	180 x 165 x 21 mm	VL-V554EX: 169 x 118 x 30 mm VL-V554UEX: 169 x 118 x 16.5 mm (excluding sections embedded into the wall)	173 x 52 x 30 mm	43 x 81 x 76 mm
Weight	470 g	VL-V554EX: 405 g, VL-V554UEX: 345 g	160 g (including the batteries)	70 g (excluding the AC adaptor)
Operating environment	Ambient temperature: Approx. 0 °C to +40 °C Relative humidity (non-condensing): up to 90 %	Ambient temperature: Approx. -15 °C to +55 °C Relative humidity (non-condensing): up to 90 % (tested up to -20 °C)	Ambient temperature: Approx. 0 °C to +40 °C Relative humidity (non-condensing): up to 90 %	Ambient temperature: Approx. 0 °C to +40 °C Relative humidity (non-condensing): up to 90 %
Display	5-inch wide colour / WQVGA (800x480 pixel)	—	2.2-inch, colour / QVGA (320x240)	—
Frequency	1.88 GHz to 1.90 GHz	—	1.88 GHz to 1.90 GHz	—
Option output [A contact]	Rated load: 24 V AC/DC, 0.3 A or lower Minimum applicable load: 5 V DC, 0.001 A (Output when there is a call from the doorphone)	—	—	—
Viewing angle	—	Horizontally: Approx. 170° Vertically: Approx. 115°	—	—
Installation method	Wall mount (mounting bracket supplied)	VL-V554EX: surface mount (mounting base supplied) VL-V554UEX: flush mount (flush mounting box supplied)	—	—
Minimum illuminance required	—	1 lx (within approx. 50 cm from the camera lens)	—	—
Lighting method	—	Warm white LED lights	—	—
IP rating / IK rating	—	IP54*1 / Compliant with IK07	—	—
External material	Flame retardant ABS and PS resin	Aluminium and flame retardant PC+PS resin	ABS resin	ABS resin

Options

Model number and name	VL-WD812EX (For VL-SWD501)	VL-FKD2EX (For VL-SWD501)
	Wireless Sensor Camera	DECT Repeater
Dimensions (Unit: mm)		
Power source	Power supply unit [VL-PS240] 24 V DC, 0.4 A	AC adaptor [PQLV219CE/PQLV219E] Input: 220-240 V AC, 0.1 A, 50/60 Hz Output: 6.5 V DC, 0.5 A
Power consumption	During standby: Approx. 1.5 W During operation: Approx. 4.5 W (when the LED lights are not lit), Approx. 8 W (when the LED lights are lit)	During standby: Approx. 1.5 W During operation: Approx. 2.3 W (when transmitting)
Dimensions (H x W x D)	160 x 118 x 290 mm (when the camera is front facing and including the wall mount bracket)	82 x 111 x 39 mm
Weight	960 g	88 g (excluding the AC adaptor)
Operating environment	Ambient temperature: Approx. -20 °C to +50 °C Relative humidity (non-condensing): up to 90 %	Ambient temperature: Approx. 0 °C to +40 °C Relative humidity (non-condensing): up to 90 %
Frequency	1.88 GHz to 1.90 GHz	1.88 GHz to 1.90 GHz
Installation method	Wall mount (wall mount bracket supplied)	—
Transmitting range	Approx. 100 m (line-of-sight distance from the main monitor)	Approx. 100 m (line-of-sight distance from the main monitor)
Minimum illuminance required	1 lx*2	—
Image sensor	0.3 M pixel CMOS	—
Lighting method	2 white LED lights*3	—
Angular field of view (camera angle)	Horizontal: Approx. 53° Vertical: Approx. 41°	—
Sensor detection range	Heat sensor (when the surrounding temperature is approx. 20°) Horizontal: Approx. 63°, vertical: Approx. 20°, detection range: Approx. 5 m Motion detection sensor Horizontal: Approx. 53°, vertical: Approx. 41°	—
Sensor detection method	Pyroelectric infrared sensor (heat sensor) and motion detection	—
IP rating	IP54*1	—
Adjustable mounting angles	Horizontal: ±90°, vertical: facing forward - facing down approx. 60° [adjustable when mounting]	—
Heat sensor adjustable angles	Manually adjustable to 2 angles	—
External material	PC+ABS resin	PS resin

*1 Water resistance is only assured if the Door Station/the camera is installed correctly according to the instructions in the Installation Guide, and appropriate water protection measures are taken.

Do not install the camera in areas directly exposed to water or rain.

*2 The minimum illuminance required when the camera's [Brightness] setting is set to [+3].

*3 Approx. 8.5 lx when 3 m in front of the camera, and approx. 4 lx when 3 m away and 20° to the left or right of the camera.

Model Composition



Model number and name	VL-MVN511EX	VL-V555EX	VL-PS240	VL-RLY1
	Main Monitor Station (Main monitor)	Door Station (Doorphone)	Power Supply Unit * indoor use only	Relay Box
Dimensions (Unit: mm)				
Power source	Power supply unit [VL-PS240] 24 V DC, 0.5 A	Power supplied by the main monitor	Input: 220-240 V AC, 0.2 A [50Hz /60Hz] Output: 24 V DC, 0.6 A	Power supplied by the main monitor
Power consumption	Standby: Approx. 1.8 W During operation: Approx. 10 W	—	—	—
Dimensions (H x W x D) [Excluding protruding sections]	186 x 161 x 23.5 mm	169 x 118 x 30 mm	116 x 100 x 54 mm	92 x 78 x 38 mm
Weight	485 g	395 g	230 g	130 g
Operating environment	Ambient temperature: Approx. 0 °C to +40 °C Relative humidity (non-condensing): up to 90 %	Ambient temperature: Approx. -15 °C to +55 °C Relative humidity (non-condensing): up to 90 % (tested up to -20 °C)	Ambient temperature: approx. 0 °C to +40 °C Relative humidity (non-condensing): up to 90 %	Ambient temperature: approx. 0 °C to +40 °C Relative humidity (non-condensing): up to 90 %
Display	5-inch, wide colour / WQVGA (480x272 pixel)	—	—	—
Display language	English, French, Germany, Spanish, Italy, Dutch	—	—	—
Talking method	Hands-free	—	—	—
Frequency	Wi-Fi: [IEEE 802.11 b/g/n 2.4 GHz]	—	—	—
Option output [A contact]	Rated load: 24 V AC/DC, 0.3 A or lower Minimum applicable load: 5 V DC, 0.001 A (Output when there is a call from the doorphone.)	—	—	—
Viewing angle	—	Horizontally: Approx. 170° Vertically: Approx. 130°	—	—
Installation method	Wall mount (mounting bracket supplied)	Surface mount (mounting base supplied) * Optional flush mounting box is sold separately.	Attach to DIN rail	Attach to DIN rail
Minimum illuminance required	—	1 lx (within approx. 50 cm from the camera lens)	—	—
Lighting method	—	White coloured LED lights	—	—
IP rating / IK rating	—	IP54*1 / Compliant with IK07	—	—
External material	Flame retardant ABS and PS resin	Aluminium and flame retardant PC+PS resin	Flame retardant PC+ABS resin	Flame retardant ABS resin

Compatibility of Main Monitor and Door Station

○= Connectable ●= Connectable (same as included unit) —= Not connectable

Main Monitor [Set No.]	Door Station	
	VL-V554EX	VL-V555EX
VL-MWD501 [VL-SWD501]	● [Set]	○
VL-MW511 [VL-SVN511]	○	● [Set]

*1 Water resistance is only assured if the Door Station is installed correctly according to the instructions in the Installation Guide, and appropriate water protection measures are taken.