

METAL BOX SWITCHING MODE POWER SUPPLIES

12V DC 3 and 5A - with battery backup

- Information report (low battery and no mains)
- Locking of box by key
- Embedded self-protection
- Protection by electronic fuse (PTC)
- 3 LEDs on front



AD1203R



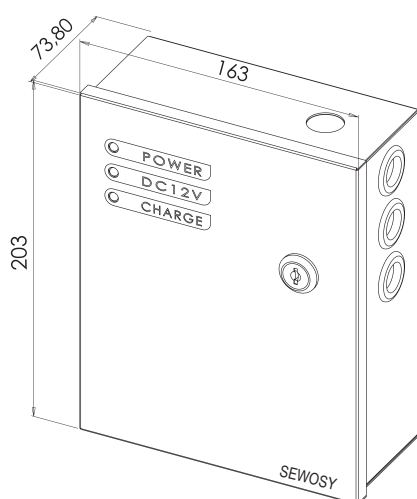
AD1205R

CHARACTERISTICS

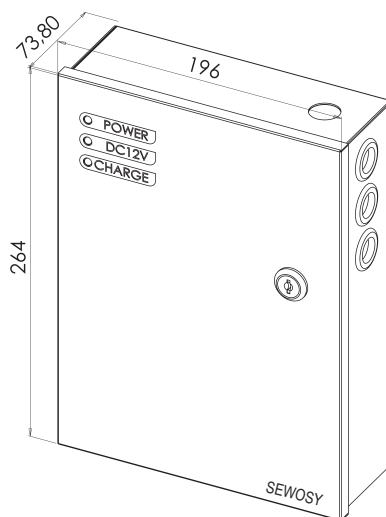
Product number	Dimensions H x W x D	V IN	V OUT	I (A)	W	°C	IP
AD1203R	203 x 163 x 73,8 mm	110V - 240V AC	12V DC	3 A	36 W	0 +40 °C	40
AD1203GR	295 x 195 x 90 mm	110V - 240V AC	12V DC	3 A	36 W	0 +40 °C	40
AD1205R	264 x 196 x 73,80 mm	110V - 240V AC	12V DC	5 A	60 W	0 +40 °C	40
AD1205GR	295 x 195 x 90 mm	110V - 240V AC	12V DC	5 A	60 W	0 +40 °C	40

AD1203R	Switching mode power supply 12V DC 3 A with output relay	1,2 kg
AD1203GR	Switching mode power supply 12V DC 3 A with output relay - large box	2 kg
AD1205R	Switching mode power supply 12V DC 5 A with output relay	1,4 kg
AD1205GR	Switching mode power supply 12V DC 5 A with output relay - large box	2 kg

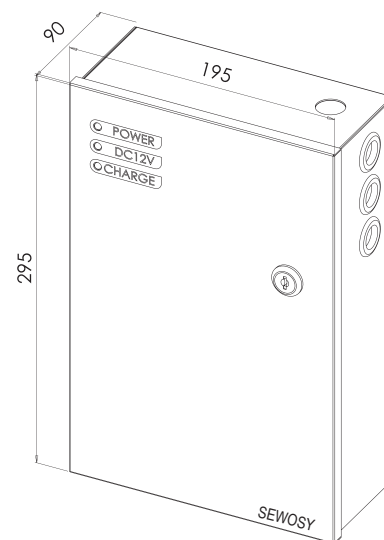
Customs code
85044090



AD1203R



AD1205R



AD1205GR

AD1203GR

