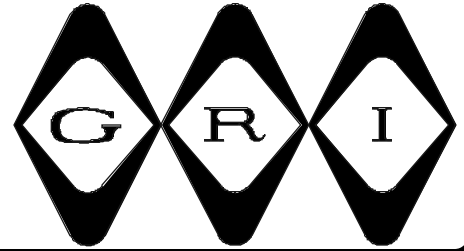


# MINIATURE OVERHEAD DOOR SWITCH SET



## 4532/4532L SERIES

- ◆ Low Cost ◆ Miniature Floor Mount
- ◆ Universal Magnet For Flexibility In Mounting
- ◆ Cast Aluminum Casings For Harsh Environments
- ◆ Two Foot Armored Cable ◆ Longer Leads Upon Request
- ◆ For Loose Overheads ◆ Optional "L" Bracket
- ◆ Hermetically Sealed ◆ Plated Contacts Resist Sticking or Freezing
- ◆ Mounting Hardware Included
- ◆ Built-in E.O.L. Resistors and Diodes Upon Request
- ◆ Supervisory Loops Upon Request
- ◆ Switches and Magnets Available Separately
- ◆ Lifetime Warranty



4532



4532L

### PART NUMBERS:

	Closed Loop	Open Loop	SPDT	DPDT
Gap Up To 2 1/2"	4532	4532B	4532C	4532D-36
Gap Up To 2 1/2"	4532L	4532LB	4532CL	4532DL-36

GEORGE RISK INDUSTRIES, INC.  
G.R.I. PLAZA  
KIMBALL, NE 69145



MADE IN U.S.A.

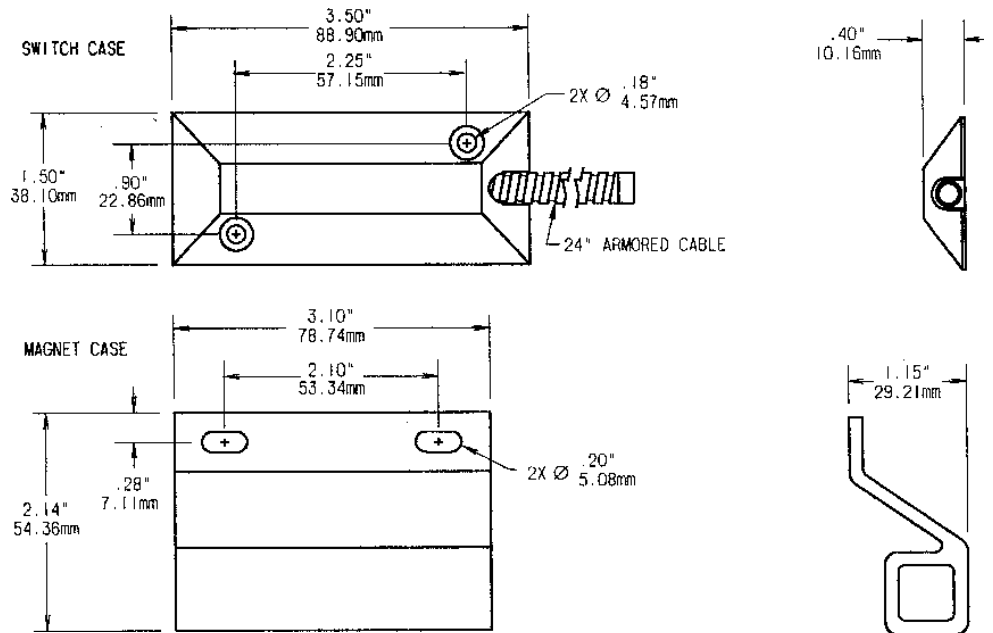
TOLL-FREE 1-800-445-5218  
TOLL-FREE 1-800-523-1227  
(308) 235-4645  
FAX (308) 235-3561  
E-MAIL: [grisales@megavision.com](mailto:grisales@megavision.com)  
WEB SITE: [www.grisk.com](http://www.grisk.com)



# MINIATURE OVERHEAD DOOR SWITCH SET

## INSTALLATION APPLICATIONS:

The 4532 is a miniature, low-profile reed switch in cast aluminum for durability in harsh environments. The 4532 features a wide working gap of up to 3" with two feet of heavy-duty armored cable for protection from the elements and a versatile universal magnet which can be mounted at various angles for those difficult installations. The 4532 is also available with an optional "L" bracket. Order part number 4532L for this option. The 4532 is shipped as a set but can be packaged separately. A 1/4" masonry bit is required for lead anchor installation.



## Minimum General Specifications:

PART NUMBER	LOOP TYPE	ELECTRICAL CONFIG.	REED FORM	MAXIMUM INITIAL CONTACT RESISTANCE (Ω)	MAXIMUM CONTACT RATING (W)	MAXIMUM SWITCHING VOLTAGE (VDC/VAC)	MAXIMUM SWITCHING CURRENT (A)
4532	Closed	N/O	A	.150	10	200/140	.500
4532L	Closed	N/O	A	.150	10	200/140	.500
4532B	Open	N/C	B	.140	5	175VDC	.250
4532LB	Open	N/C	B	.140	5	175VDC	.250
4532C	Open/Closed	SPDT	C	.140	5	175VDC	.250
4532CL	Open/Closed	SPDT	C	.140	5	175VDC	.250
4532D-36		DPDT	CX2	.140	5	175VDC	.250
4532DL-36		DPDT	CX2	.140	5	175VDC	.250

## WARRANTY:

Lifetime warranty against workmanship, material and factory defects.

**CONTACT YOUR G.R.I. DISTRIBUTOR OR CALL:**

GEORGE RISK INDUSTRIES, INC.  
GRI PLAZA  
KIMBALL, NE 69145



MADE IN U.S.A.

TOLL-FREE 1-800-445-5218  
TOLL-FREE 1-800-523-1227  
(308) 235-4645  
FAX (308) 235-3561

E-MAIL: [grisales@megavision.com](mailto:grisales@megavision.com)  
WEB SITE: [www.grisk.com](http://www.grisk.com)