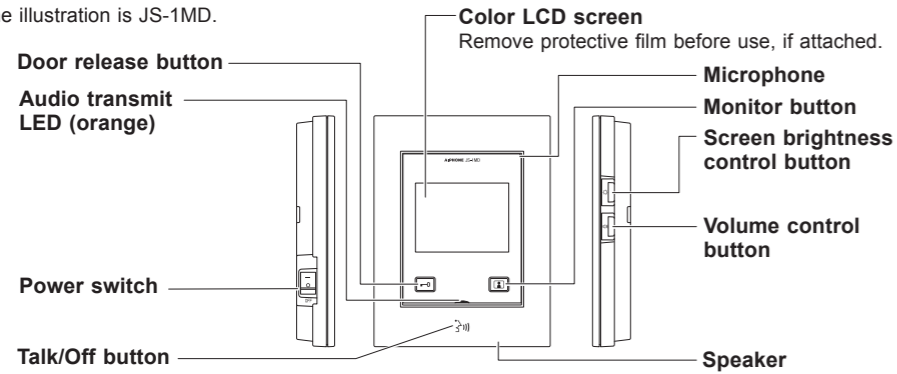


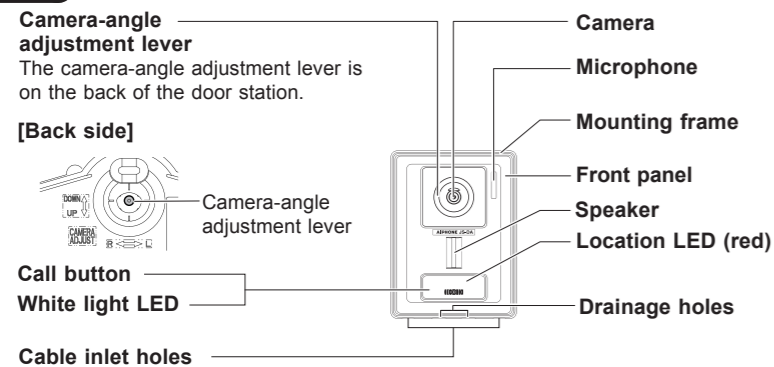
Parts names

JS-1MD / JS-1HD

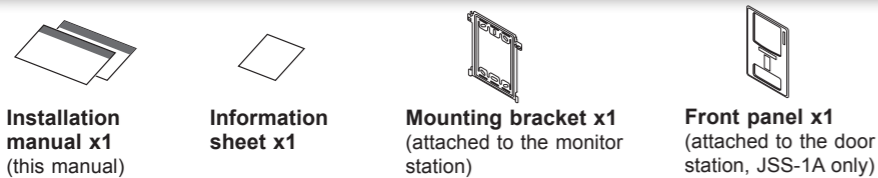
The illustration is JS-1MD.



JS-DA



Included accessories



NOTES:

- Mounting and wood mounting screws not included.
- For details on the power supply, see the installation manual of the power supply separately.

Precautions



Warning (Negligence could result in death or serious injury.)

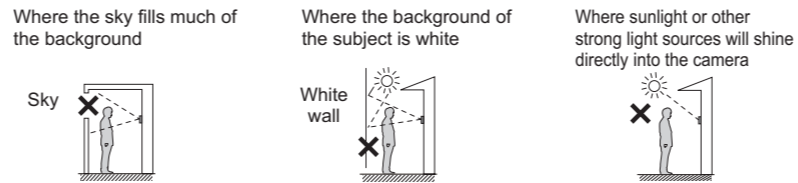
1. Do not disassemble or modify the station. This may result in fire or electrical shock.
2. Do not use with a power supply rated above the specified voltage. This may result in fire or electrical shock.
3. Do not install two power supplies in parallel to a single input. This may result in fire or electrical shock.
4. Do not connect any terminals on the station directly to an AC power line. This may result in fire or electrical shock.
5. Use the Aiphone power supply specific for use with the system. This may result in fire or malfunction.

Caution (Negligence could result in injury to people or damage to property.)

1. Do not install or connect the station with the power on. This may result in electrical shock or malfunction.
2. Make sure the wiring is correct and there are no wiring shorts before switching on the station. This may result in fire or electrical shock.
3. Install in a place where the station will not get easily bumped. This may result in injury.
4. Do not put your ear close to the speaker when using the station. May cause harm to the ear if a sudden loud noise is emitted.

Precautions for mounting

1. The monitor station is designed for indoor use only. Do not install at outdoor location.
2. Installing the device in the following locations could cause malfunction:
 - * Locations under direct sunlight (except door station)
 - * Locations near heating equipment
 - * Locations subject to liquid, iron filings, dust, oil, or chemicals
 - * Locations subject to moisture and humidity extremes
 - * Locations where the temperature is quite low
 - * Locations subject to steam or oil smoke
 - * Sulphurous environments
 - * Locations close to the sea or directly exposed to sea breeze
3. Installing the station in the following locations as is may affect the clarity of the image:
 - * Where lights will shine directly into the camera at night time
 - * Where the sky fills much of the background
 - * Where the background of the subject is white
 - * Where the background of the subject is white
 - * Where sunlight or other strong light sources will shine directly into the camera



4. In 50Hz regions, if a strong fluorescent light enters directly into the camera, it may cause the image to flicker. Either shield the camera from the light or use an inverter fluorescent light.
5. Use a parallel 2 conductor cable to connect the door station.
6. For wiring, separate them for audio/video and door release and keep them more than 10cm (3-15/16") away from each other.
7. If existing wiring is used, the device may not operate properly. In that case, it will be necessary to replace the wiring.
8. Do not use any impact driver to fasten screws. Doing so may cause damage to the device.
9. Do not install the product on a recessed wall to avoid interruption of communication.
10. Using a single multi-conductor cable for multiple connections may result in poor image quality.

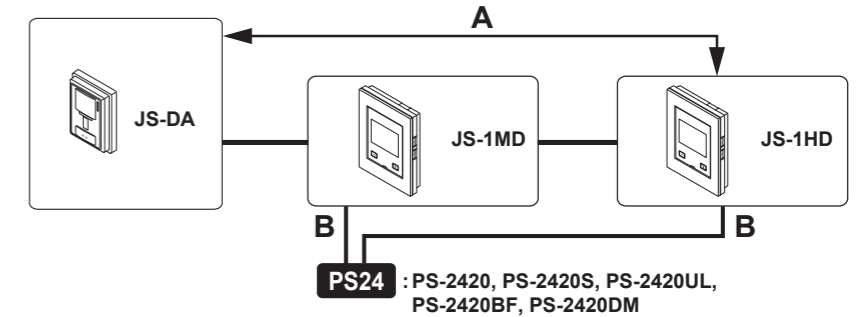
General Precautions

1. Install low-voltage lines at least 30 cm (12") away from high-voltage lines (AC100V-240V), especially inverter air conditioner wiring. This may result in interference or malfunction.
2. When installing or using the station, give consideration to the privacy rights of subjects, as it is the responsibility of the system owner to post signs or warnings in accordance with local ordinances.

Notice

1. If the station is used in areas where there are business-use wireless devices such as a transceiver or mobile phones, it may cause malfunction.
2. If the station is installed near a wireless device, interference may occur and could cause a malfunction.
3. If the station is installed in an area with an extremely strong electrical field, such as in the vicinity of a broadcasting station, it may create interference and cause a malfunction.
4. Internal and external temperature difference may cause condensation on the camera. Plugging cable holes and other gaps is recommended for preventing condensation.

Wiring method, wiring distance



	Ø 0.65 mm	22 AWG	Ø 0.8-1.2 mm	20-16 AWG
A	50 m	165'	100 m	330'
B	5 m	16'	10 m	33'

Installation

Cable

- Use PE (polyethylene)-insulated PVC jacket cable. Parallel or jacketed 2-conductor, mid-capacitance non-shielded cable is recommended.
- Never use individual conductors, twisted pair cable or coaxial cable.



To connect low voltage wires, either crimp them with a crimp sleeve or solder them, and then insulate by covering with insulating tape.

[Crimping with a crimp sleeve]

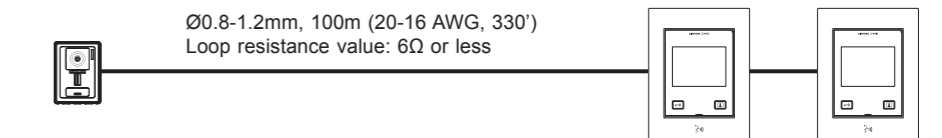
1. Line up solid and stranded conductors, and crimp them.
2. Overlap more than half of the width and twist them at least twice.

[Soldering]

1. Twist the stranded conductor around the solid conductor at least three times.
2. Bend the tip and solder it. Make sure no lead wire sticks out.
3. Overlap more than half of the width and twist them at least twice.

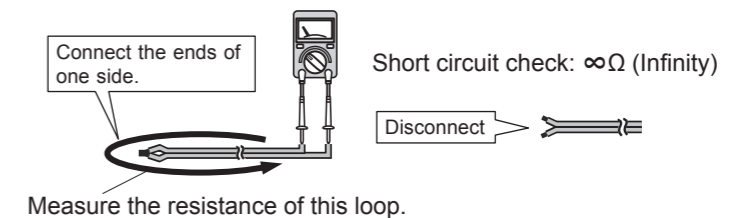
• When using existing cables

Check for short circuit and disconnection before installation.



Disconnection check (6Ω or less)

Connect the ends of one side and make a measure at the other side with a tester.

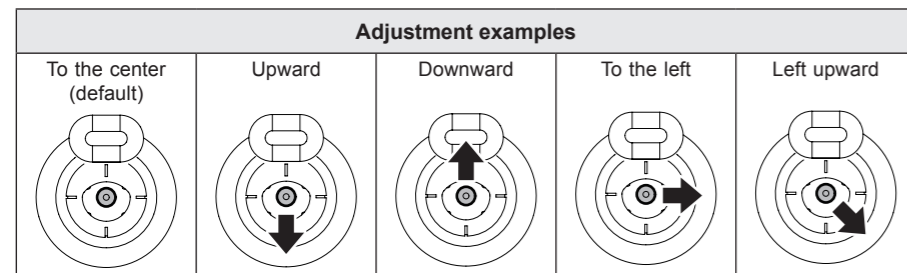
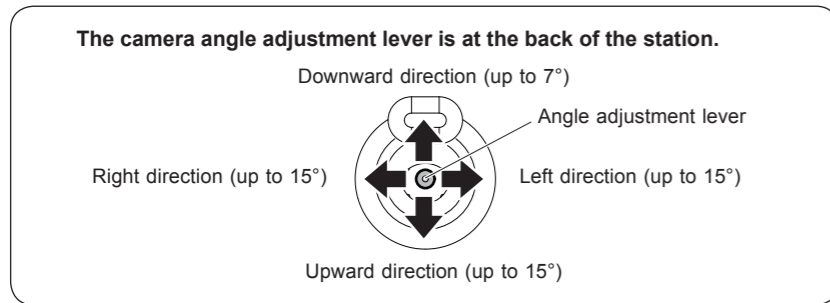


Installation

Installation location of the video door station and image view area

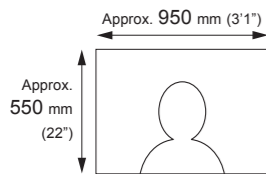
JS-DA

The angle of the camera lens can be adjusted in the range of 15° in the upward, right, and left directions and in the range of 7° in the downward direction.

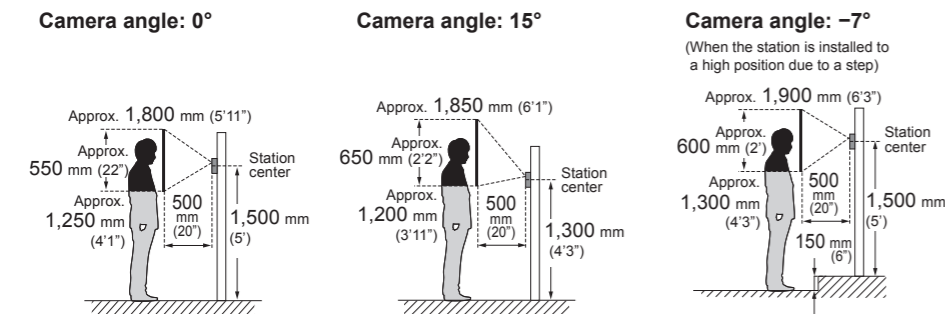


- The angle can also be adjusted to the right and right upward.
- The image may be distorted when the angle is set to left upward or right upward.

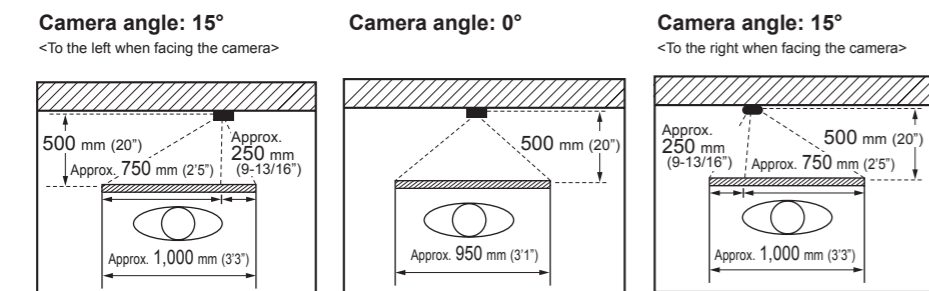
• View area at 500 mm (20") in front of the camera



Vertical



Horizontal

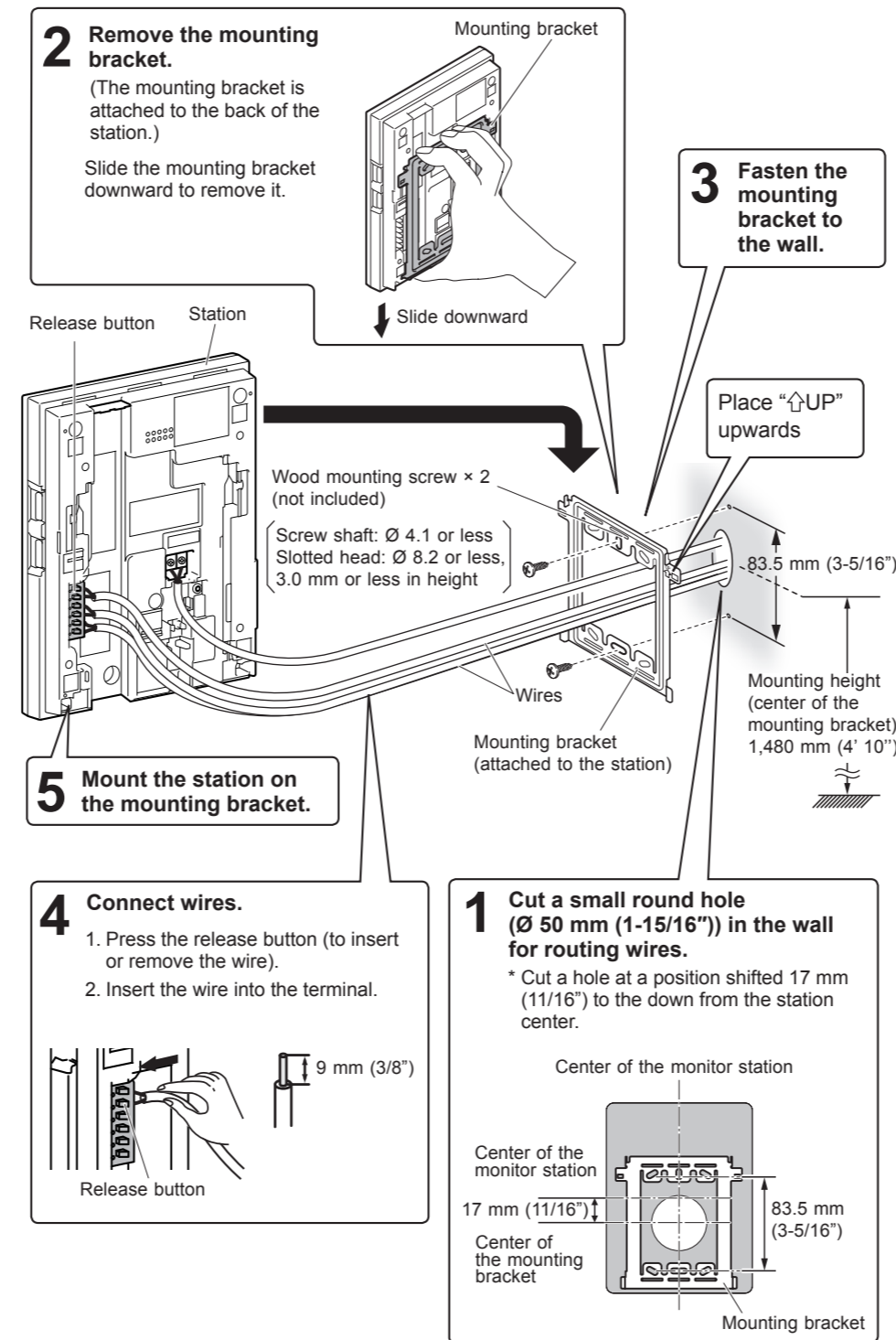


Mounting

JS-1MD / JS-1HD

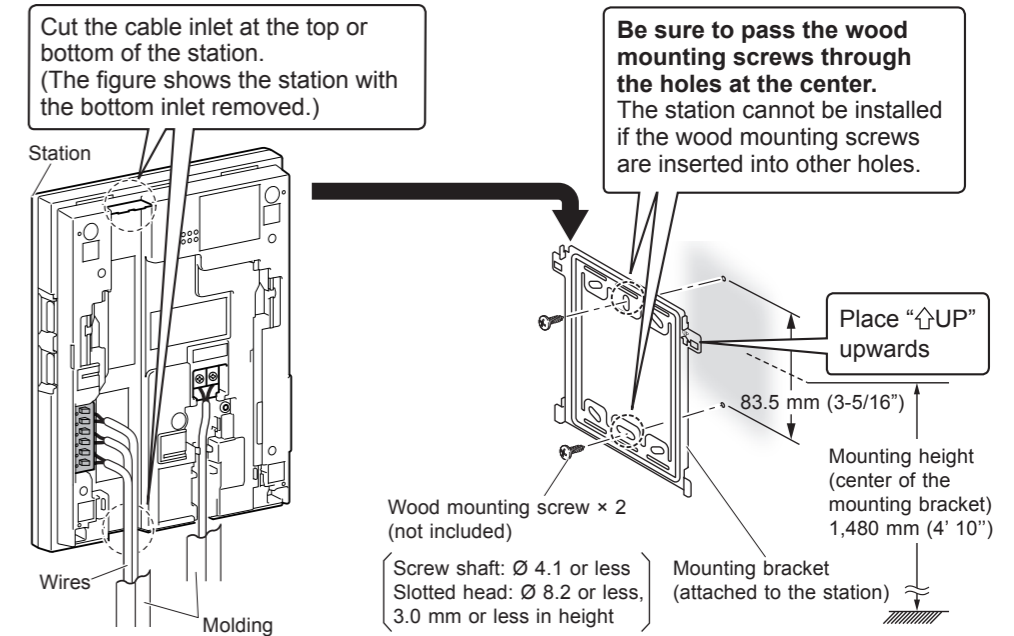
The illustration is JS-1MD.

<Back wiring>



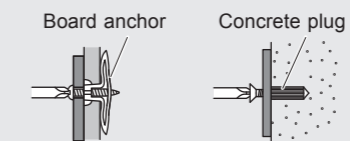
<Surface wiring>

The wires can be routed to the top or bottom of the station.
Cut the cable inlet to allow passage of the wiring into the station from the top or bottom of the station.
If there is a large amount of wiring, strip away the jacket of the wire up to the cable inlet.

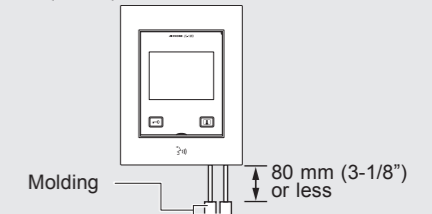


When the wood mounting screws cannot be used for plasterboard walls, concrete walls and so on, use commercially-available board anchors or concrete plugs.

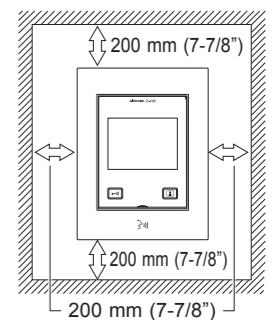
(e.g.)



Use cable moldings for the power wire and the other wires. The open wire sections between the station and the cable moldings should be 80 mm (3-1/8") or less.



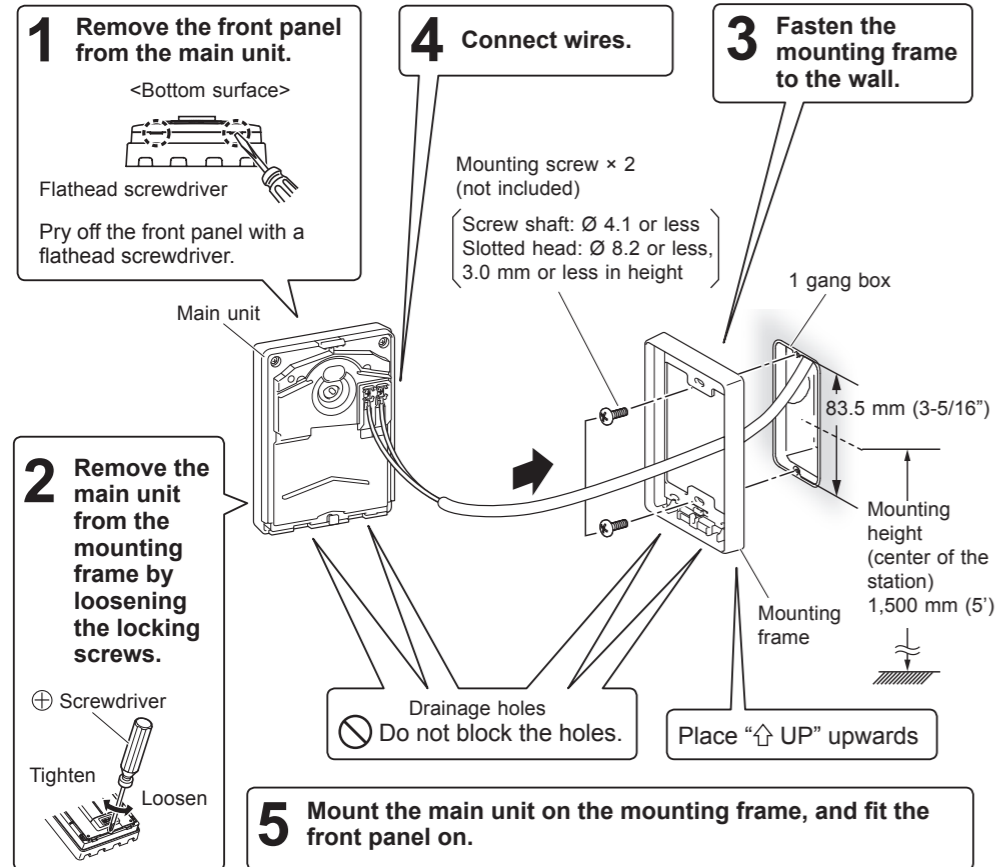
- Make sure to leave at least the specified spaces on all sides to prevent malfunction and audio distortion.



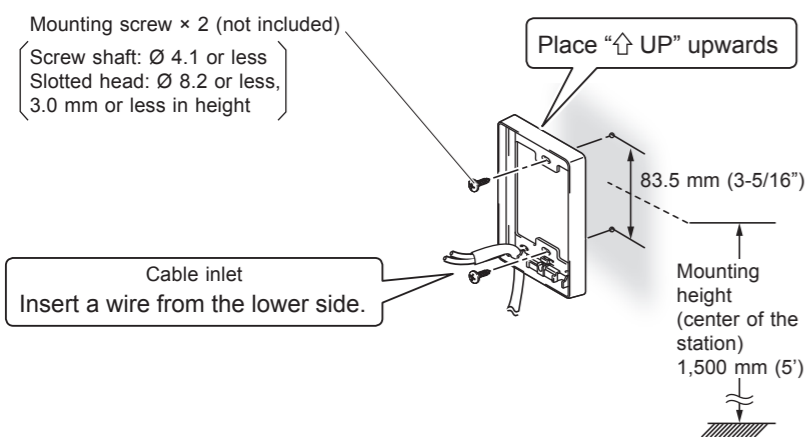
Mounting

JS-DA

<Back wiring>

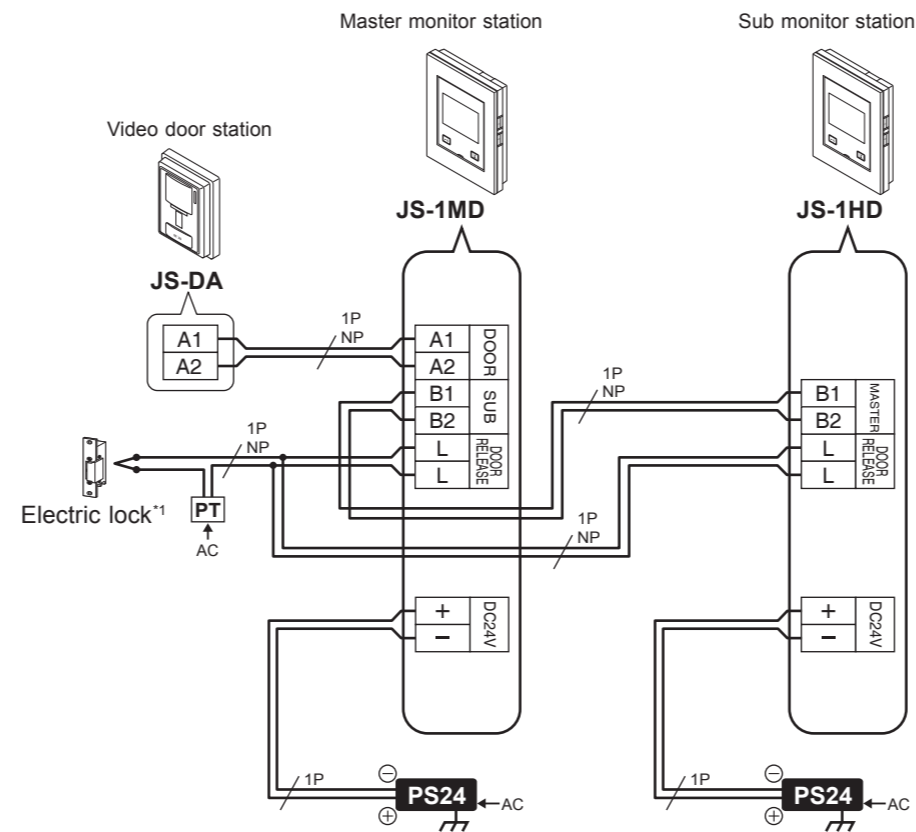


<Surface wiring>



Wiring

Insert wires securely into each station as shown below.

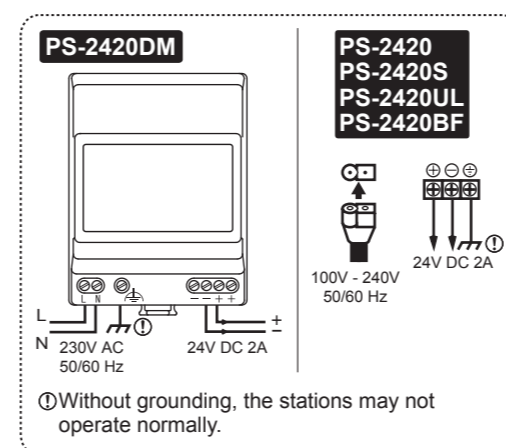


PT: AC transformer

PS24: Power supply

NP: Non-polarized

*1: An EL-12S (12V AC, 0.125A, 12V DC, 0.2A) or equivalent part and a separate AC transformer (or power supply) are required. Door release contact: 24V AC/DC, 1 A (Minimum contact: 100mV DC, 0.1mA) (N/O dry closure contact L, L).
* Run separate cables for audio/video and door release.



Technical precautions

Cleaning:

- Clean all units with a soft cloth and gentle cleaner. Do not spray cleaner directly on unit. Do not use an abrasive cleaner or cloth.
- Video door station is weather resistant.

Wiring:

- If a short is detected between A1 and A2 of the door station, the unit stops functioning and the Audio transmit LED flashes rapidly until the short is removed. Check the wires.