

# METAL BOX SWITCHING MODE POWER SUPPLIES

12V DC - 24V DC 10A - with battery backup

- Information report (low battery and no mains)
- Locking of box by key
- Embedded self-protection
- Protection by electronic fuse (PTC)
- LEDs on front



AD1210R



AD2410R

## CHARACTERISTICS

Product number	Dimensions H x W x D	V IN	V OUT	I (A)	W	°C	IP
AD1210R	395 x 285 x 86,80 mm	110V - 240V AC	12V DC	10 A	120 W	0 +40 °C	40
AD2410R	395 x 285 x 166 mm	110V - 240V AC	24V DC	10 A	240 W	0 +40 °C	40

AD1210R

switching mode power supply 12vDC 10 A  
with output relay

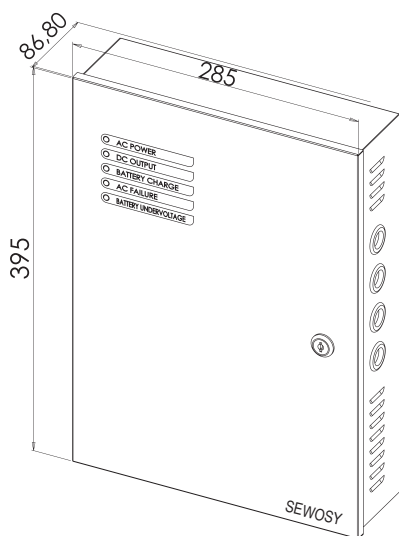
4,7 kg

AD2410R

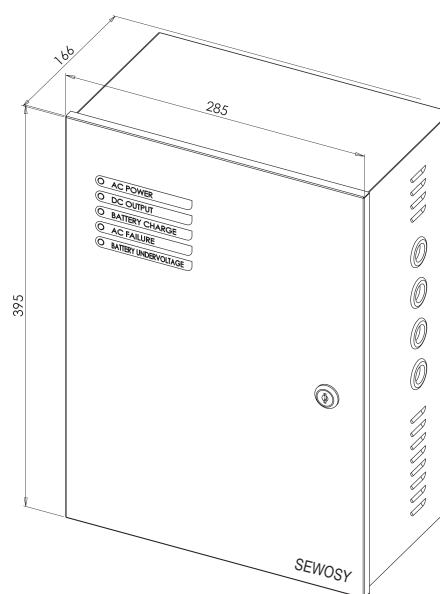
Switching mode power supply 24V DC 10A with output relay  
Space for 2 batteries

6,2 kg

Customs code  
85044090



AD1210R



AD2410R

