

SensoIRIS MOUT Output Module

EN54-18
EN54-17:2005

Description

SensoIRIS MOUT is an addressable module with potential output for connecting of conventional sounders. The module is designed for application in addressable fire alarm systems supporting TTE communication protocol. SensoIRIS MOUT has a built-in isolator module. The module monitors and transfers to control panel the status of the output - short circuit, interruption or missing of power supply in the circuit.

SensoIRIS MOUT is powered on from the fire panel and can be controlled via the communication protocol.

The module is mounted in a separate small plastic box suitable for wall mounting.



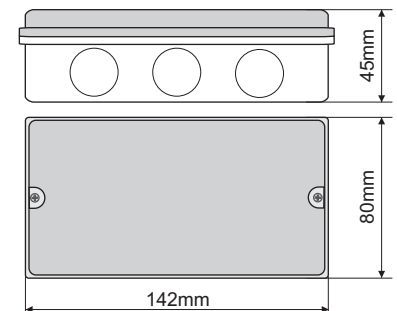
CE 15
1293

DoP No: 026

1293-CPR-0472

Technical and Environmental Specifications

Operating Voltage Range	15 - 32VDC
Permissible voltage ripple	3.0Vpp@27VDC
Output electrical characteristics (max.)	DC 28V/ 0.75A; AC 120V/ 0.5A
Max. current consumption in STAND-BY mode	270µA@27VDC
Current consumption with 1 LED ON	3.6mA
Wire Gauge for terminals	0.4mm ² - 2.5mm ²
Operating temperature	-10°C to +60°C
Relative humidity resistance	(93 ± 3)% @ 40°C
Protection	IP40
Weight	~230g
Material (plastic), color	ABS, White
Dimensions	142 x 80 x 45mm



Packing Information

- **Single packing** - 1 unit SensoIRIS MOUT, packed in ESD protected envelope.
- **Carton packing box** - 48 units SensoIRIS MOUT, dimensions 496 x 305 x 206 mm.

Compatible Product Range

- **IRIS** - Addressable Fire Panel, 96 zones
- **SIMPO** - Addressable Fire Panel, 16 zones
- **SensoIRIS Programmer** - Address Programming Tool
- **Conventional Sounders** - Conventional fire alarm sounders

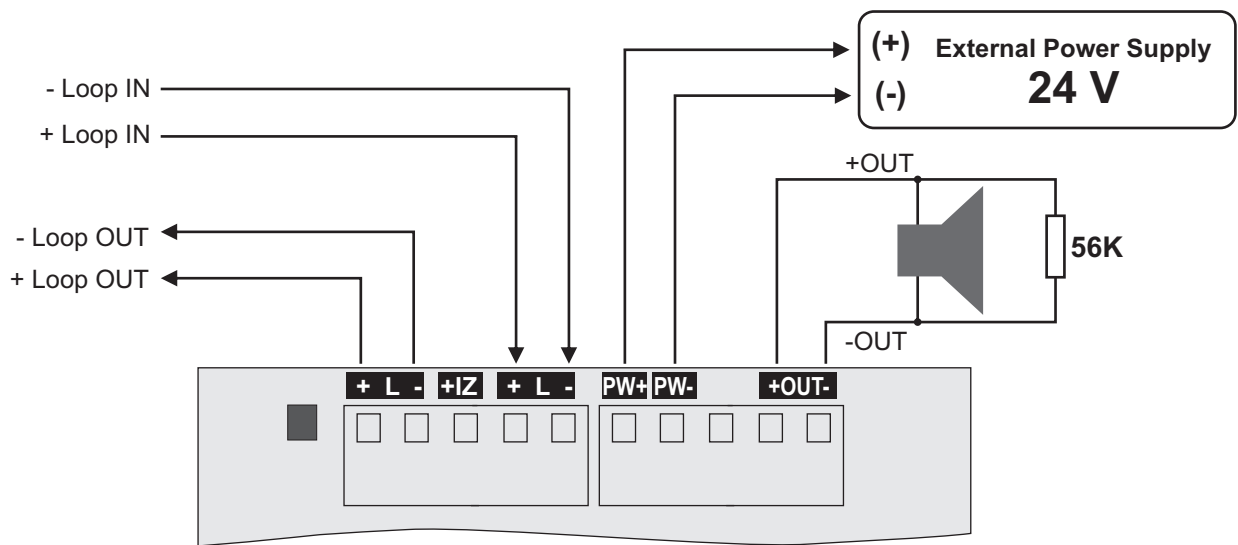
Contact Information

SensoIRIS MOUT Output Module

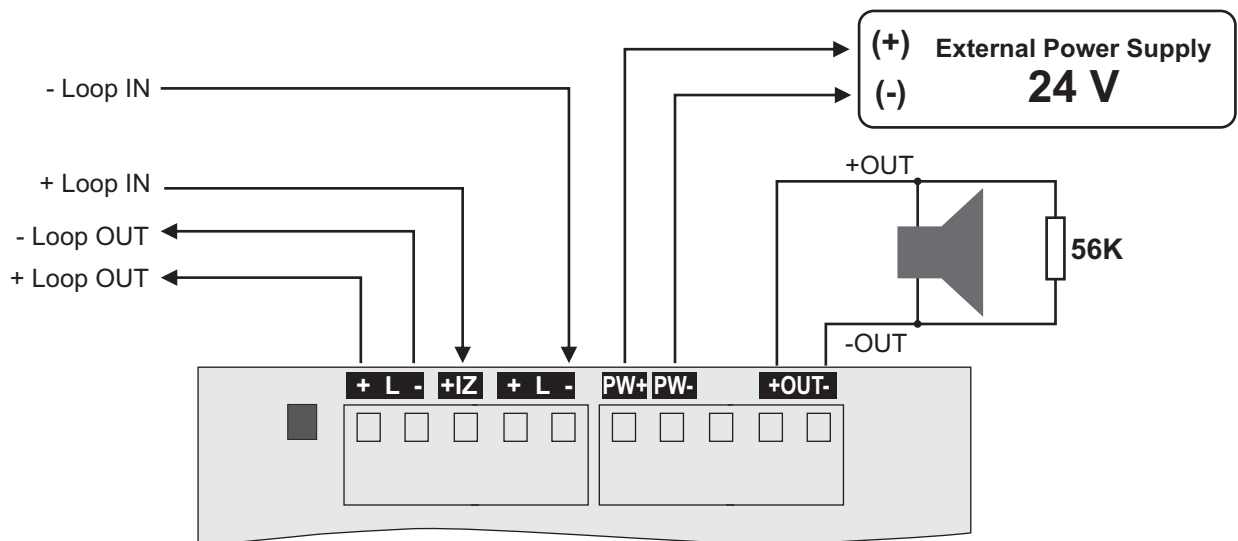
EN54-18
EN54-17:2005

● Connection Diagrams

Without using the built-in isolator module



Using the built-in isolator module



● Contact Information